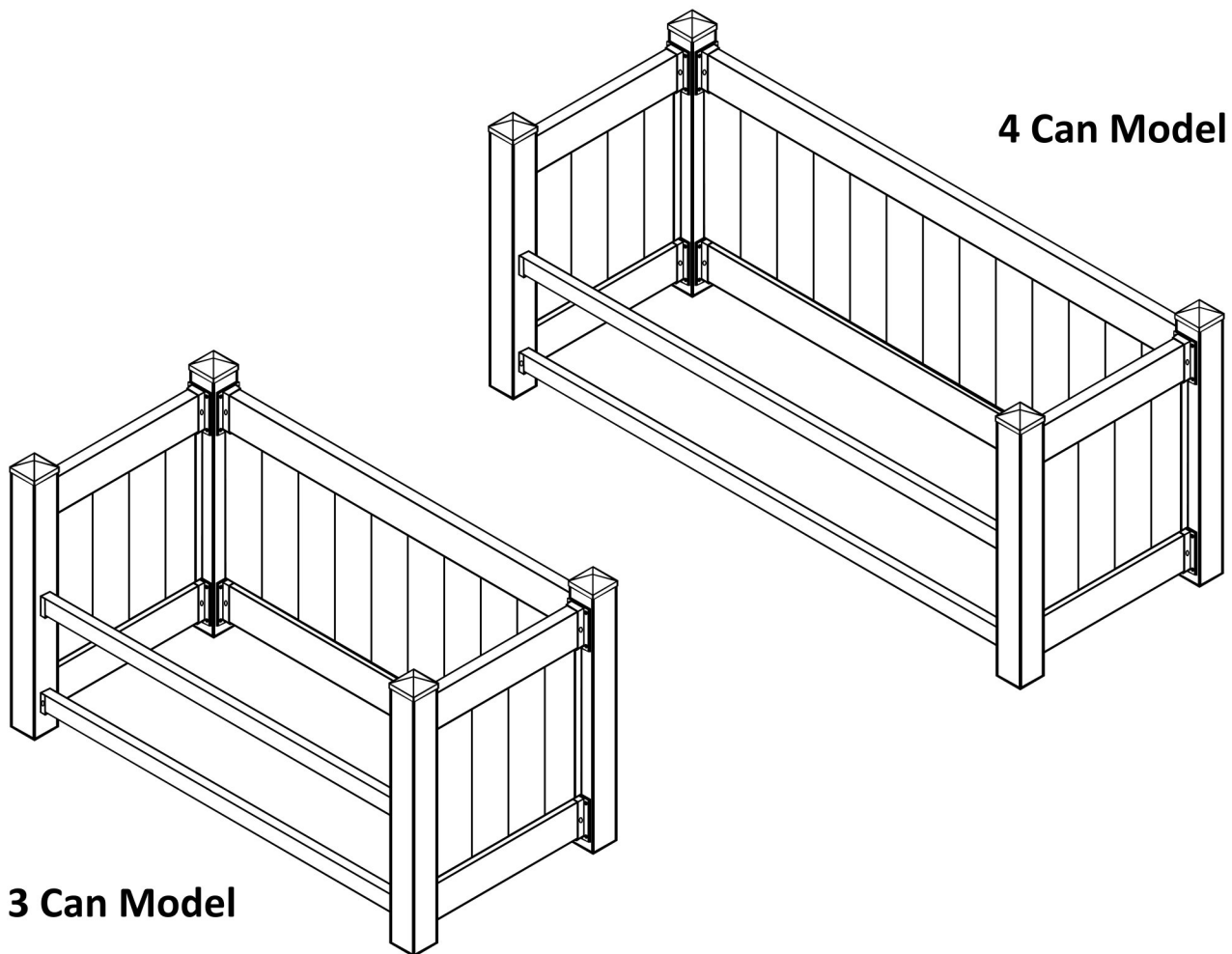


Liquid Sunshine[®]
OUTDOOR PRODUCTS

BEACH TRASH BIN

Assembly and Installation Instructions



*Please Read Installation Instructions Completely Before Starting.
Installation Support Hotline: 1-800-499-FENCE
www.OutsideShower.com*



Before You Begin:

- **Check Local Zoning Laws.** Zoning laws may restrict the location and height of your enclosure, permits may also be required.
- **Underground Utilities.** Dial 811 and pay to have underground utility lines marked. Even at shallow depths, utility lines can be present.
- **Tools and Materials.** Check that all tools and materials are present to properly assemble your enclosure.

Tool List:

- Circular Saw / Hand Saw / Chop Saw
- Line Level
- Post Level
- Tape Measure
- Ratchet Set
- Drill Gun #2, #3 Phillips
- Driver Bit Extender (Recommended)
- Hammer
- Rags and Spray Cleaner
- Safety Glasses
- Black Sharpie or Carpenters Pencil

Beach Trash Bin Parts and Assembly:

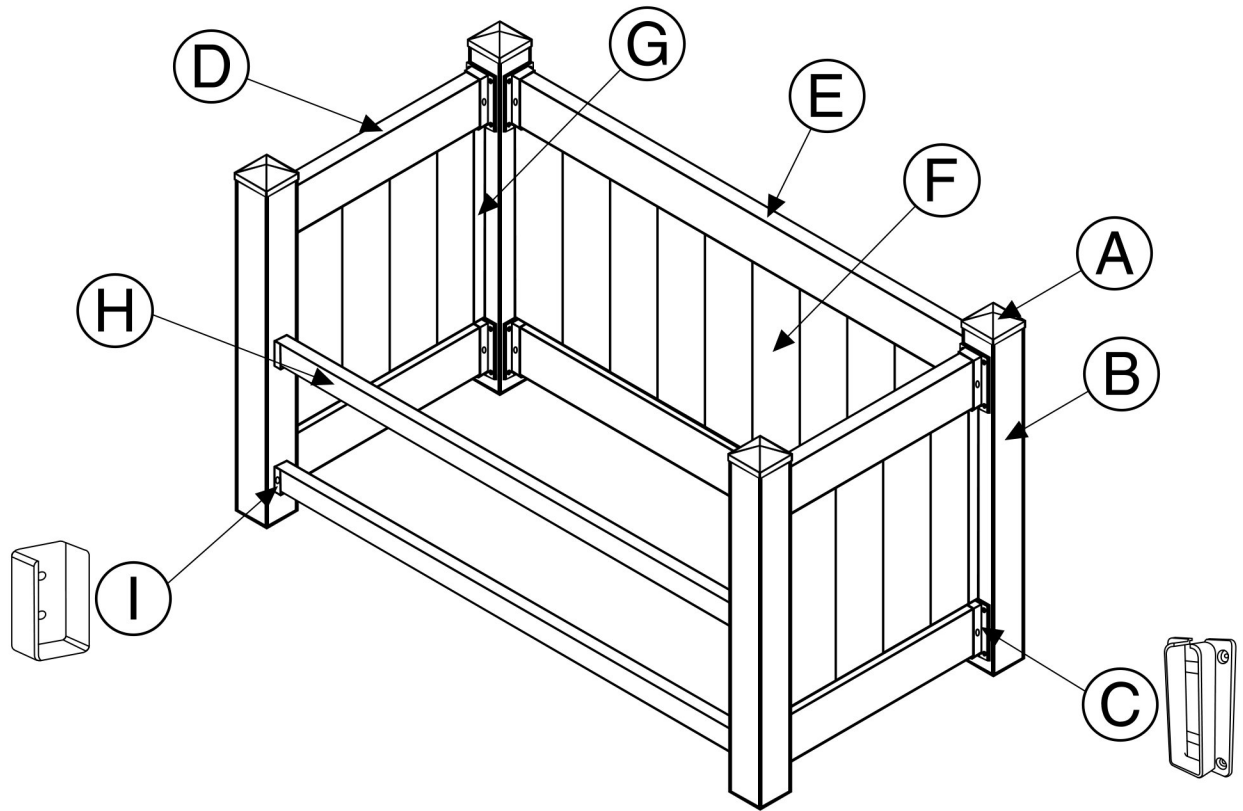
Please take a complete inventory of all parts prior to Beach Trash Bin Assembly. Do Not Attempt to assemble if parts are missing or damaged.

For Replacement Parts or Assistance:

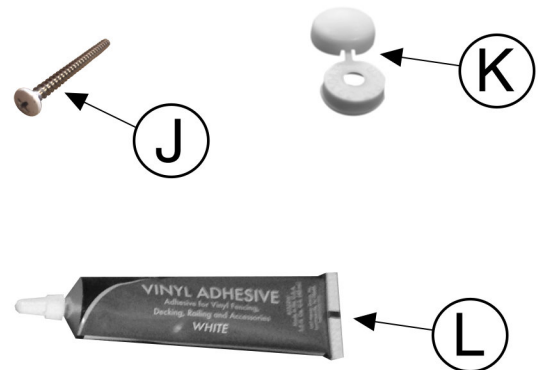
CALL 1-800-499-FENCE



Parts List



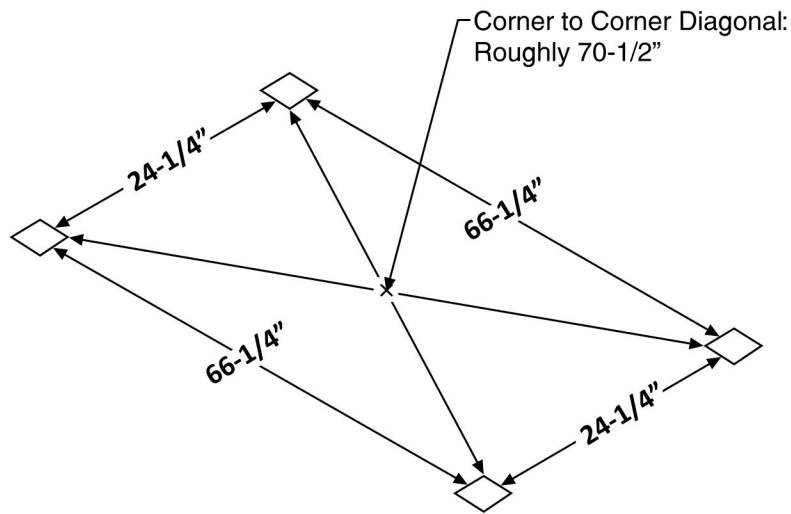
ITEM NO.	DESCRIPTION	QTY.
A	4" X 4" FLAT CAP	4
B	4" X 4" X 39" POST	4
C	BRACKET KIT (2 PER PACK)	6
D	DECO RAIL (24" LONG)	4
E	DECO RAIL (66" LONG — 3 CAN MODEL ONLY)	2
E	DECO RAIL (84-1/4" LONG — 4 CAN MODEL ONLY)	2
F	TONGUE & GROOVE BOARDS — 3 CAN MODEL	19
F	TONGUE & GROOVE BOARDS — 4 CAN MODEL	22
G	U-CHANNEL	3
H	2" X 3-1/2" RAIL TRANSOM	2
I	2" X 3-1/2" RAIL MOUNT	4
J	1-1/2" LONG SCREWS	12
K	SNAP CAPS	12
L	VINYL ADHESIVE	1



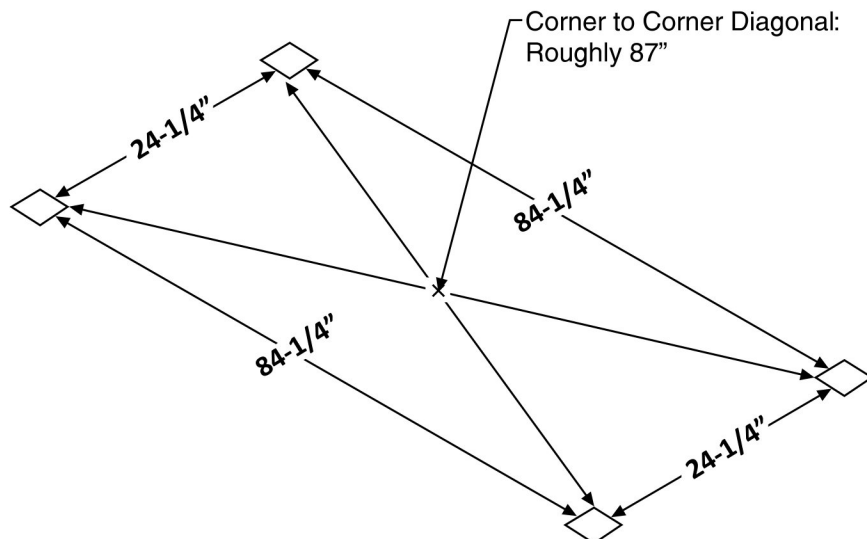
1. Measure and Mark Post Layout

1. Measure, mark, and “square” posts according to dimensions shown. Use “Corner to Corner Diagonal” dimension as a reference to ensure that posts are squared.

3 Can Model

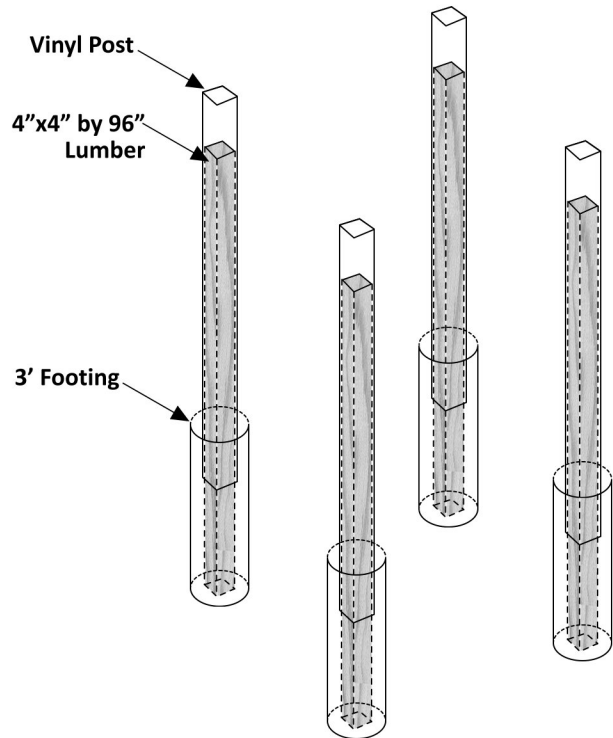
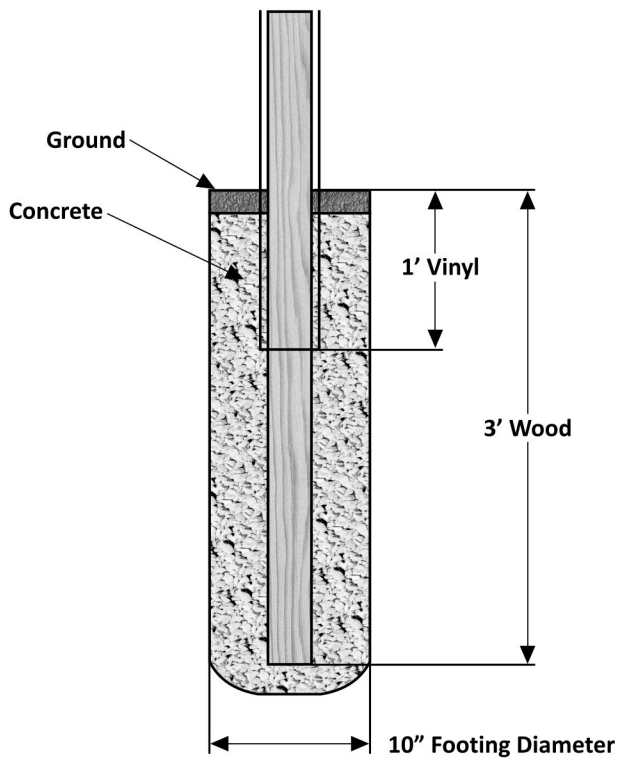


4 Can Model



2. Post Installation

1. Dig a 3 foot deep by 10 inch diameter hole for each post footing. Use a **Post Hole Digger** when an **Auger** is not available.
2. Slide vinyl posts over **4x4 by 96" lumber** so that 2 feet of lumber is extended below vinyl posts. Secure lumber to posts with **screws** below finish grade.
3. Insert posts and double-check measurements. Pour **pre-mixed concrete** into holes and use a **post level** to make plumb.



3. Wall Panel Installation

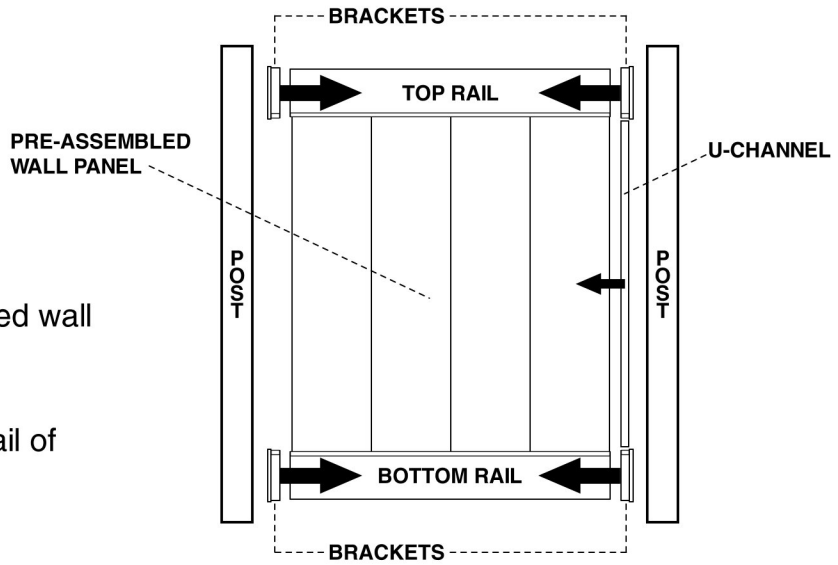
— Follow These Steps For All Wall Panels —

Step-1

Place U-Channel on one end of pre-assembled wall panel.

Slide brackets onto ends of bottom and top rail of pre-assembled wall panel.

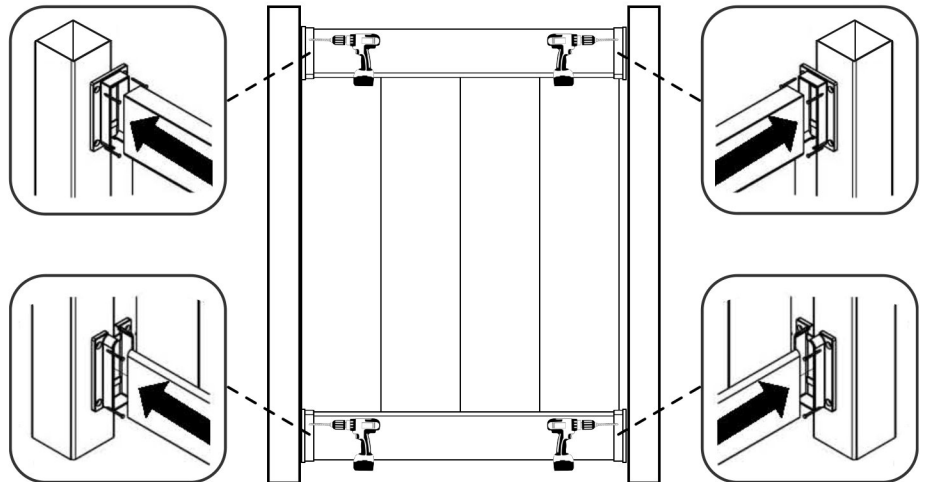
Lift wall panel into place between posts.



Step-2

Mount brackets to posts using 4 screws per bracket. Attach the bottom rail brackets first, top rail brackets last.

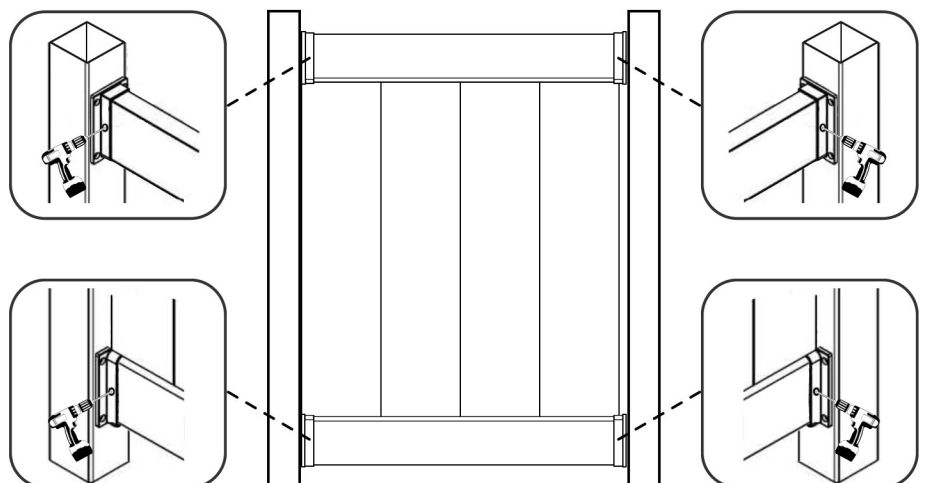
Insert white caps to hide screws.



Step-3

The bracket kits come with one short, self tapping screw per bracket. Install one screw per bracket to lock the rails to the brackets.

Insert white caps to hide screws.



BEACH TRASH BIN

4. Front Rails Installation

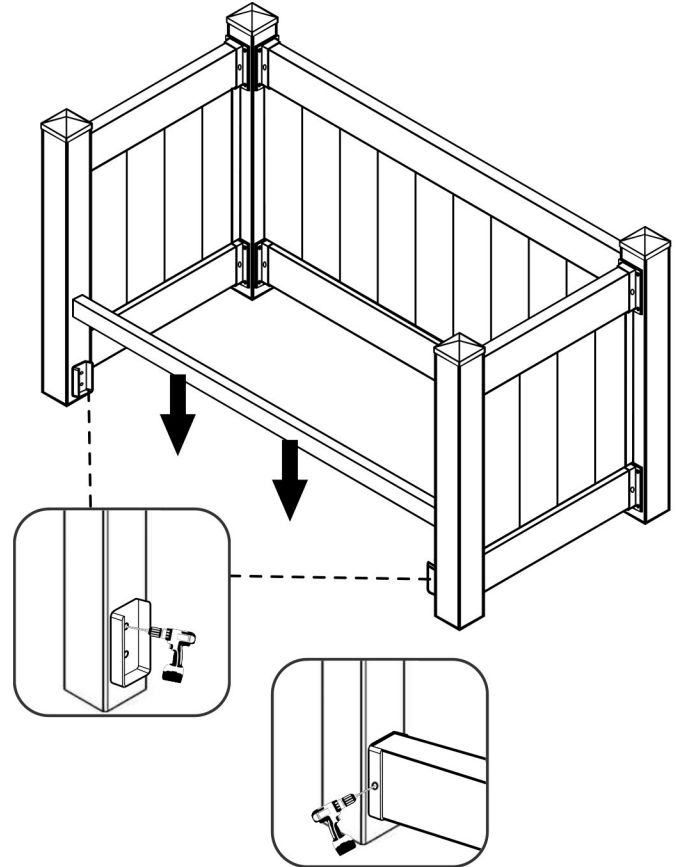
Top and Bottom Front Rails are to be installed from Post to Post across the length of the Trash Bin with the **OPEN** side **UP**.

Bottom Front Rail

The Bottom Rail is to be installed even with the Bottom Rails of the Wall Panels.

Attach two 2" x 3-1/2" Rail Mount Brackets to the bottom of the front Posts using two screws per Bracket.

Slide Bottom Rail into Brackets and secure Rail to Brackets using screw as shown.

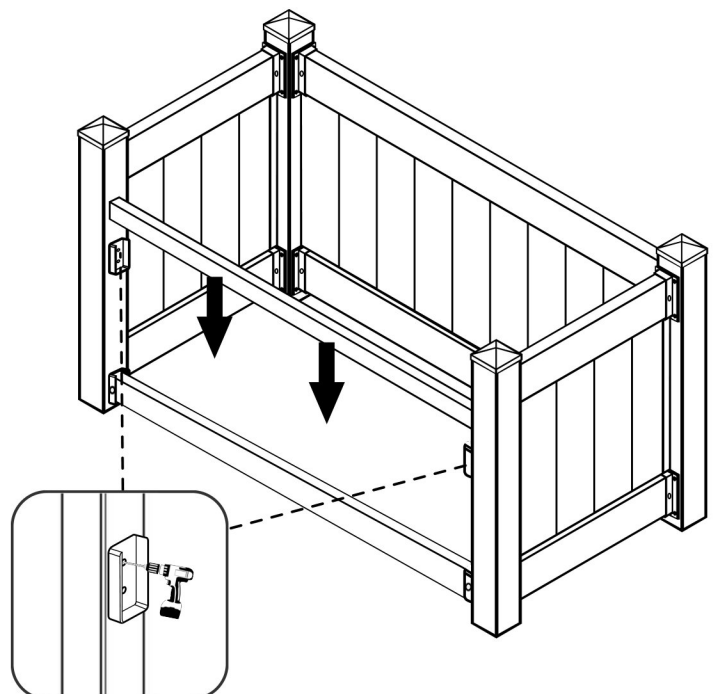


Top Front Rail

The Top Rail is to be installed 18" to 24" off the ground.

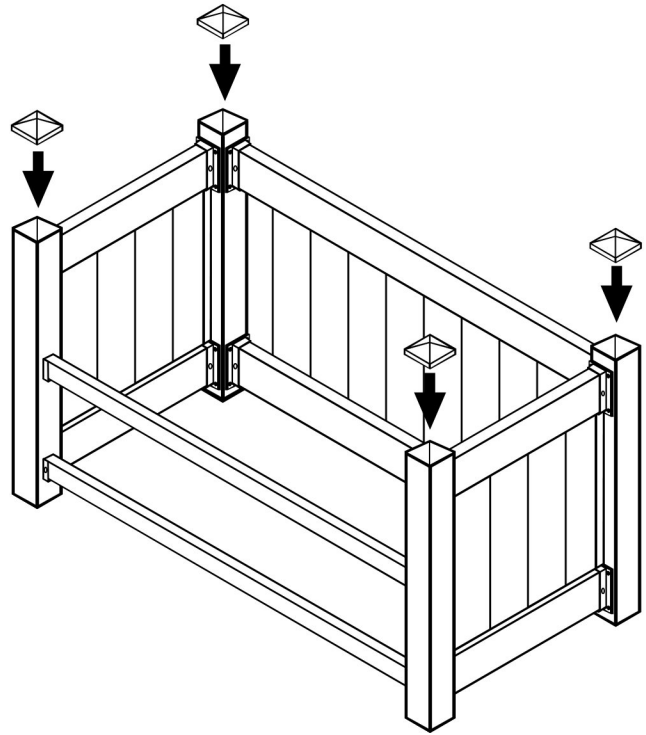
Attach two 2" x 3-1/2" Rail Mount Brackets to the front Posts using two screws per Bracket.

Slide Top Rail into Brackets. **DO NOT** screw the ends of the Top Rail into the Brackets. The Top Rail should be removable.



5. Post Caps Installation

Apply adhesive to the inside edge of the Post Caps and place the Post Caps onto the top of the Posts.





BEACH TRASH BIN

Do Not Contact The Store About
Missing Parts Or Installation Support.

CALL
1-800-499-FENCE

Thank You

www.OutsideShower.com