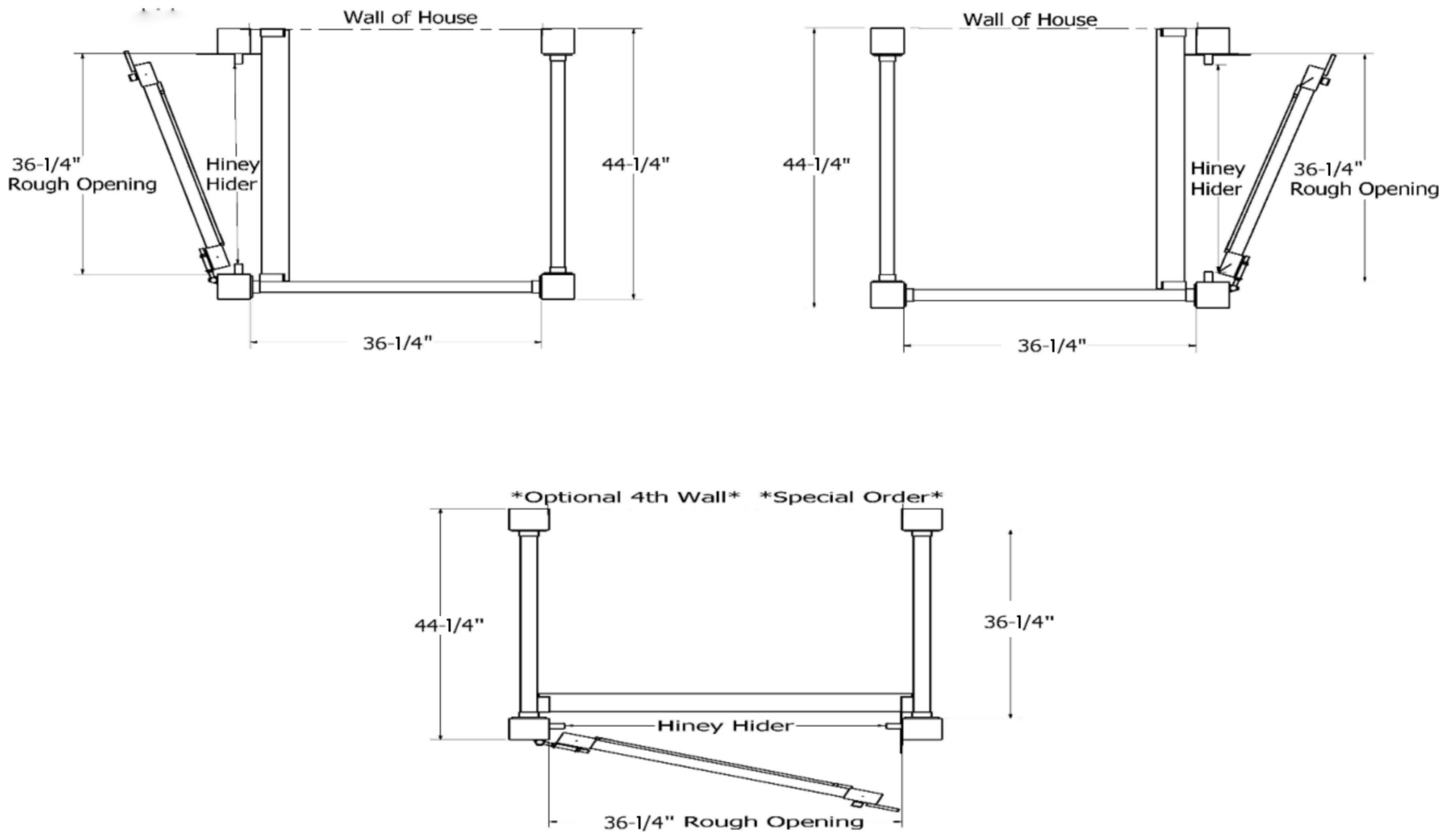


Park Model

3 x 3 Enclosure

Possible Layouts



Park Model

- 4 Post Box w/ 72" Transom PART #: 1172 Post
- 34-1/2" Door Box PART #: 1334 Door
- 36" Wall Box PART #:1236 Wall
- Hardware Box PART #: 1001 Hardware

