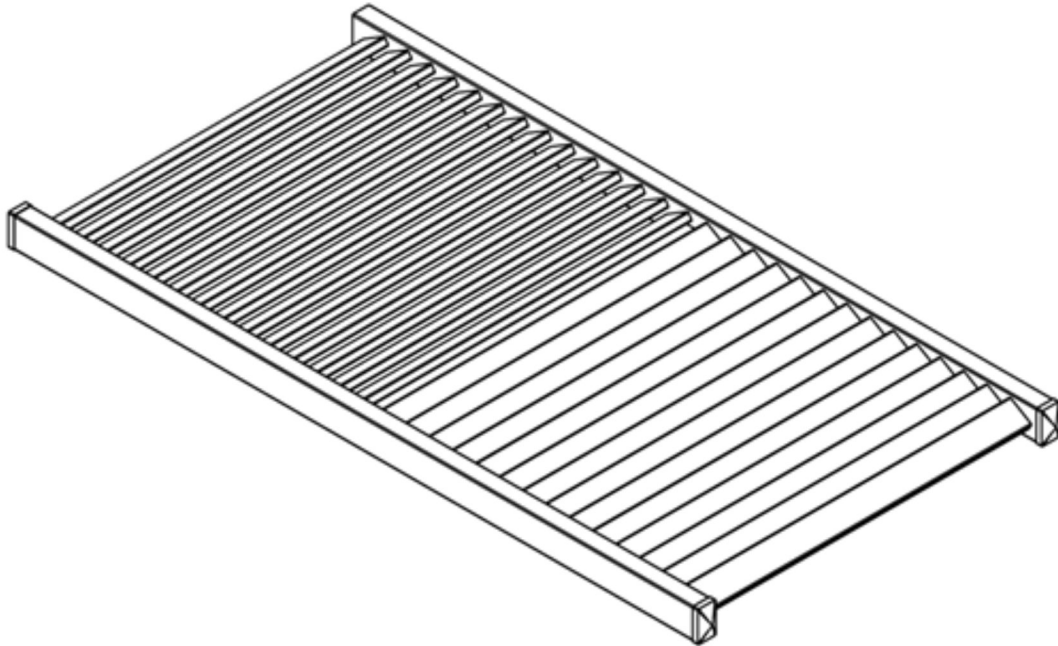


Liquid Sunshine[®]
OUTDOOR PRODUCTS

LOUVERED ROOF KIT

Assembly and Installation Instructions



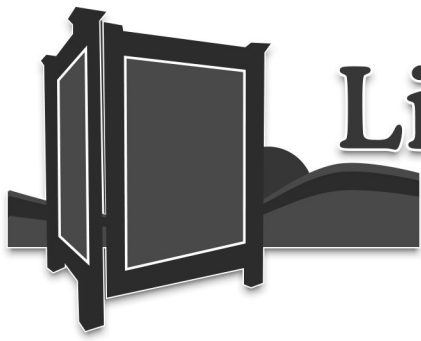
Read Installation Instructions Completely Before Starting.

INSTALLATION SUPPORT HOTLINE:

CALL 1-844-743-5140

View Installation Videos At:

WWW.OUTSIDESHOWER.COM



Liquid Sunshine[®]

OUTDOOR PRODUCTS

Before You Begin:

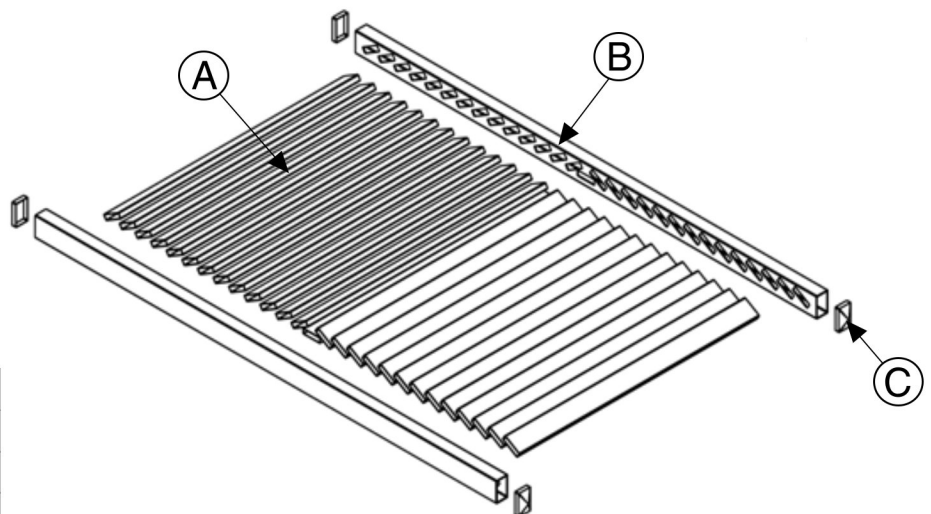
- **Local Zoning Codes.** Check with local zoning code requirements prior to purchase and installation.
- **Tools and Materials.** Check that all tools and materials are present to properly assemble your Louvered Roof.

Tool List:

- Tape Measure
- Drill Gun
- Driver Bit Extender (Recommended)
- Rags and Spray Cleaner
- Safety Glasses
- Carpenters Pencil

Louvered Roof Parts and Assembly:

Please take a complete inventory of all parts prior to Louvered Roof assembly.
Do Not Attempt to assemble if parts are missing or damaged.

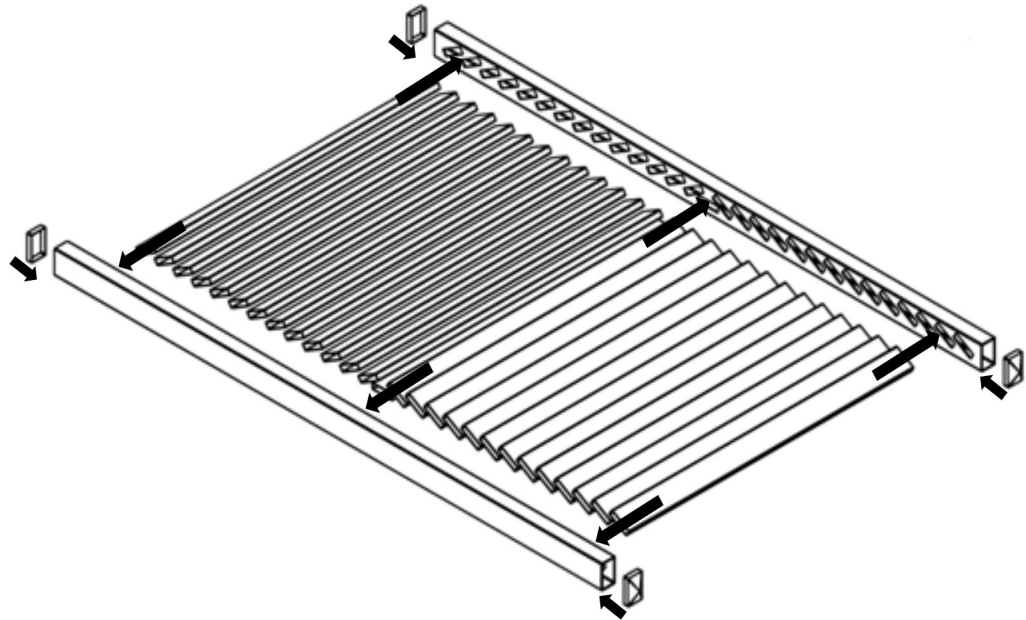


PART LEGEND

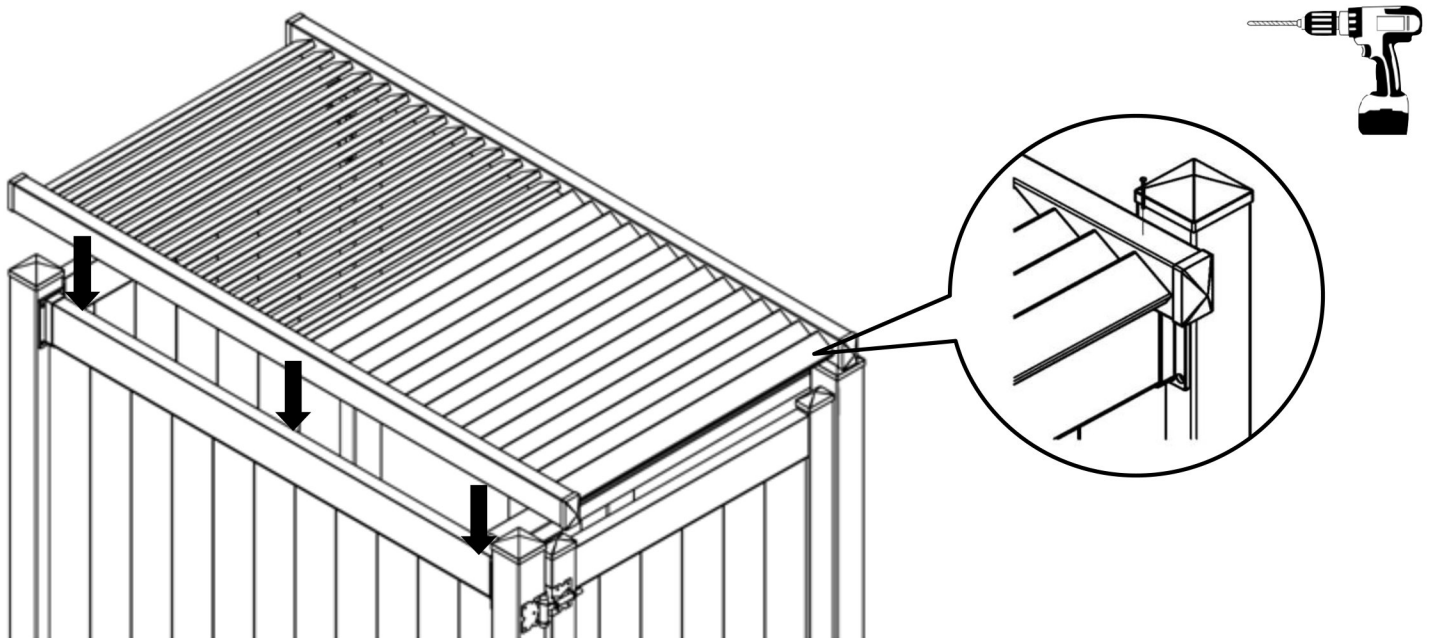
A	Louvers
B	Rail Transoms
C	Roof Caps
D	Screws

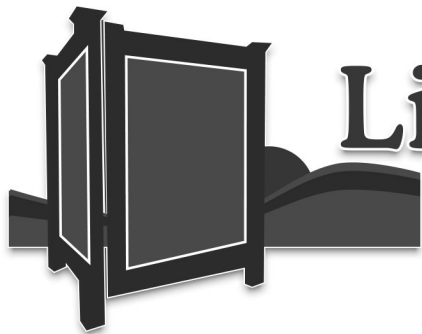


1. Assemble Louvered Roof components as shown.
(Louvers, Roof Transoms, Caps)
2. Apply adhesive to roof caps for a stronger bond.



-
3. Place Louvered Roof on Enclosure so that roof transoms rest on top deco rails and run parallel to door. Center roof so that over hangs are roughly equal.
 4. Mount roof to top Deco Rail and Rail Transom with **screws** provided.





Liquid Sunshine[®]
OUTDOOR PRODUCTS

Do Not Contact The Store About
Missing Parts Or Installation Support.

For Replacement Parts or Assistance:
CALL 1-844-743-5140

View Installation Videos At:
WWW.OUTSIDESHOWER.COM