



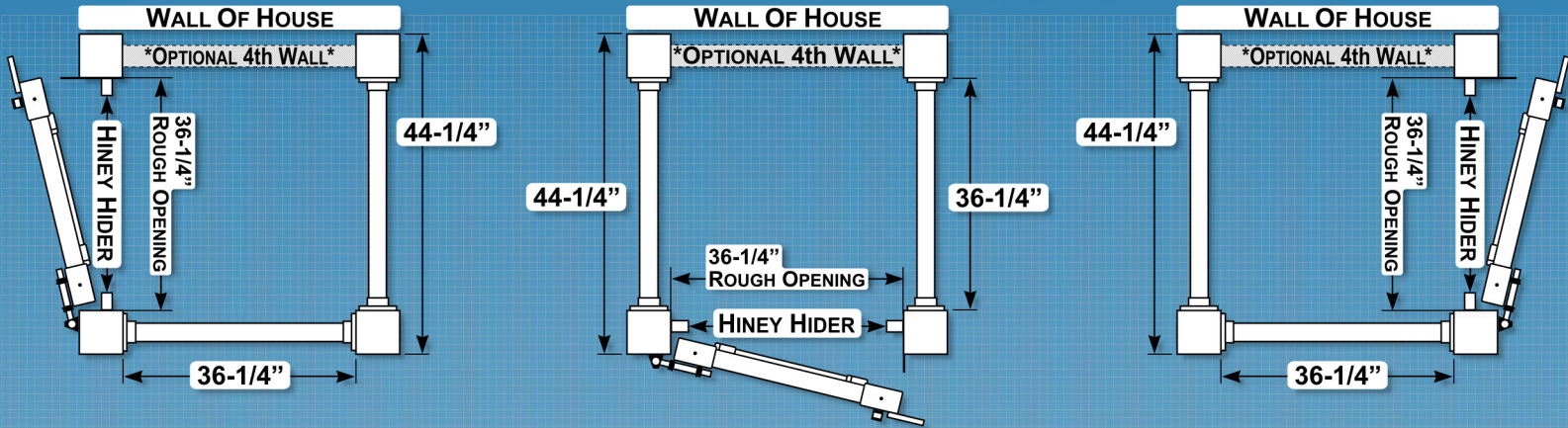
CHOOSE YOUR LAYOUT

PARK MODEL
3 x 3 ENCLOSURE

34-1/2" WIDE DOOR

DOORS CAN HINGE OFF EITHER POST

OPTIONAL 4th WALL REQUIRES SPECIAL ORDER

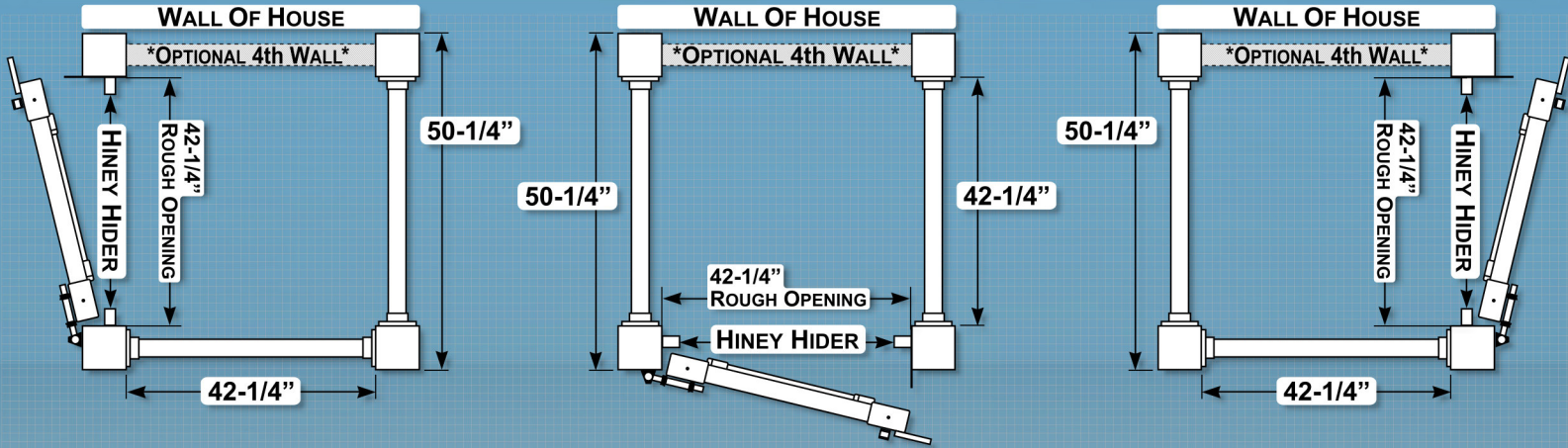


100 SERIES
4 x 4 ENCLOSURE

40-1/2" WIDE DOOR

DOORS CAN HINGE OFF EITHER POST

OPTIONAL 4th WALL REQUIRES SPECIAL ORDER

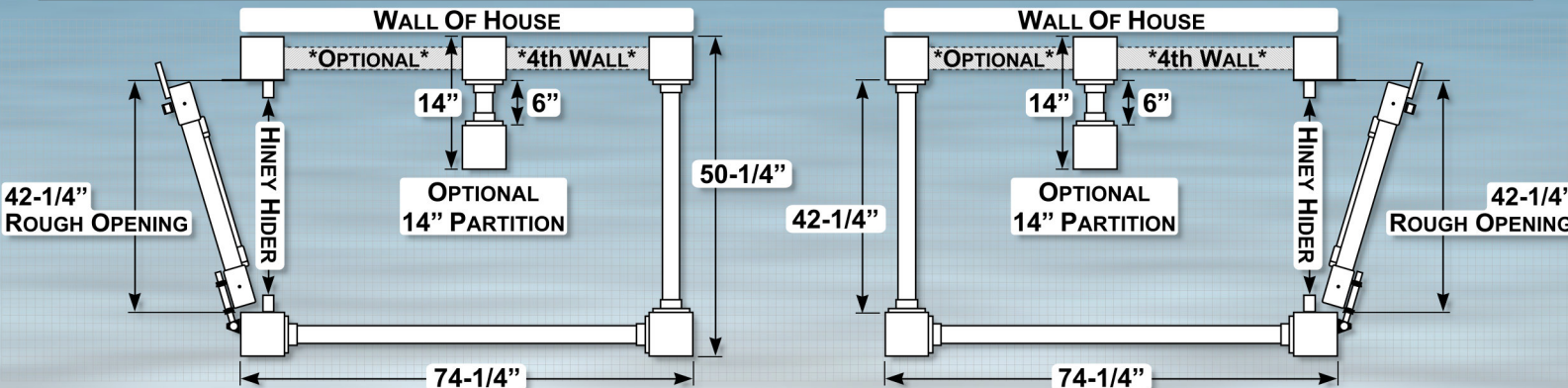


200 SERIES
4 x 6 ENCLOSURE

40-1/2" WIDE DOOR

DOORS CAN HINGE OFF EITHER POST

OPTIONAL 4th WALL REQUIRES SPECIAL ORDER





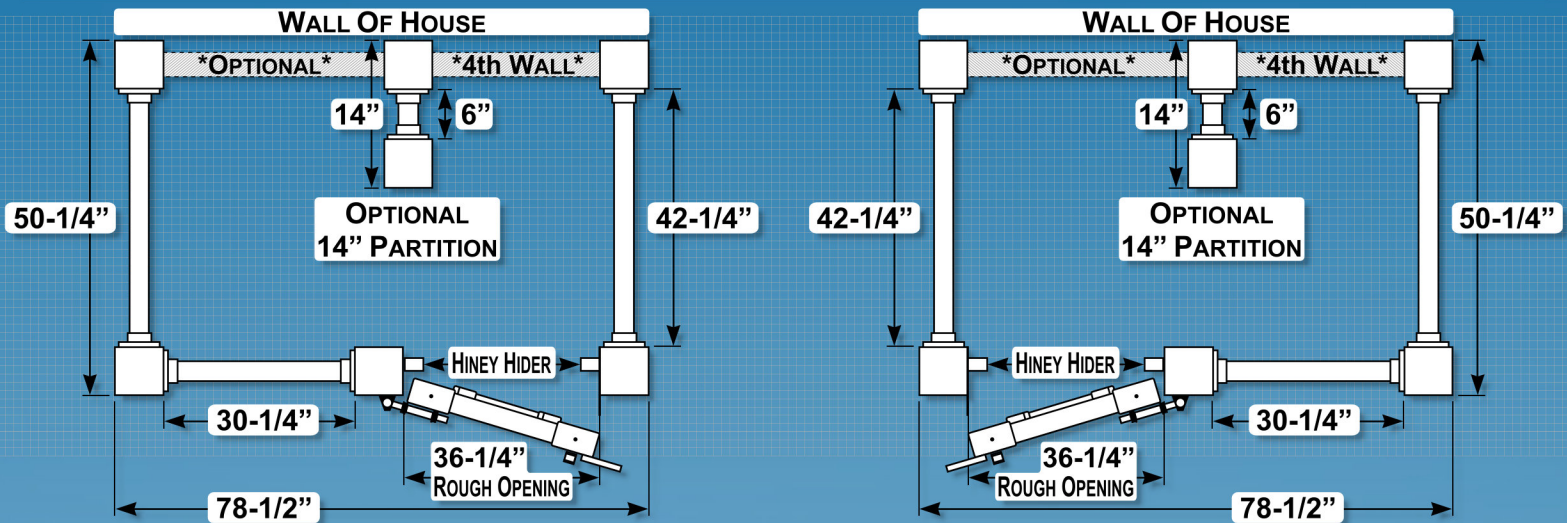
VINYL SHOWER ENCLOSURE KITS

300 SERIES
4 x 6 ENCLOSURE

34-1/2" WIDE DOOR

DOORS CAN HINGE OFF EITHER POST

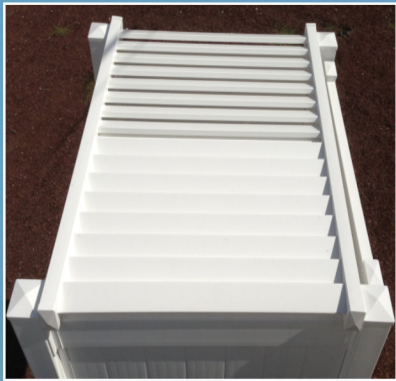
OPTIONAL 4th WALL REQUIRES SPECIAL ORDER



CHOOSE YOUR OPTIONS

ROOF AND PARTITION

LOUVRED ROOF



OPTIONAL 14" PARTITION (200 And 300 Series Only)



COLORS



POST CAPS



MOUNTING A POST ON TOP OF WOOD OR CEMENT?



What Surface?

How Many?

Patented Maintenance Free Vinyl Outdoor Shower Enclosures
US Patent #D673,659

Appearing On...



WWW.OUTSIDESHOWER.COM

FREQUENTLY ASKED QUESTIONS

WHAT IS INCLUDED IN A STANDARD KIT?
WALLS, MOUNTING BRACKETS, POSTS, DOOR, AND DOOR HARDWARE ONLY.

CAN I ORDER A FOURTH WALL?
YES. BUT, USUALLY THE WALL OF THE HOUSE IS USED "AS IS" WITHOUT THE FOURTH WALL.

HOW DO I BUY THIS?
ALL DOOR AND WALL PANELS COME PRE-ASSEMBLED IN CARDBOARD BOXES FOR EASY TRANSPORTATION AND QUICK INSTALLATION.

ASK CUSTOMER SERVICE ABOUT PURCHASING YOURS TODAY!