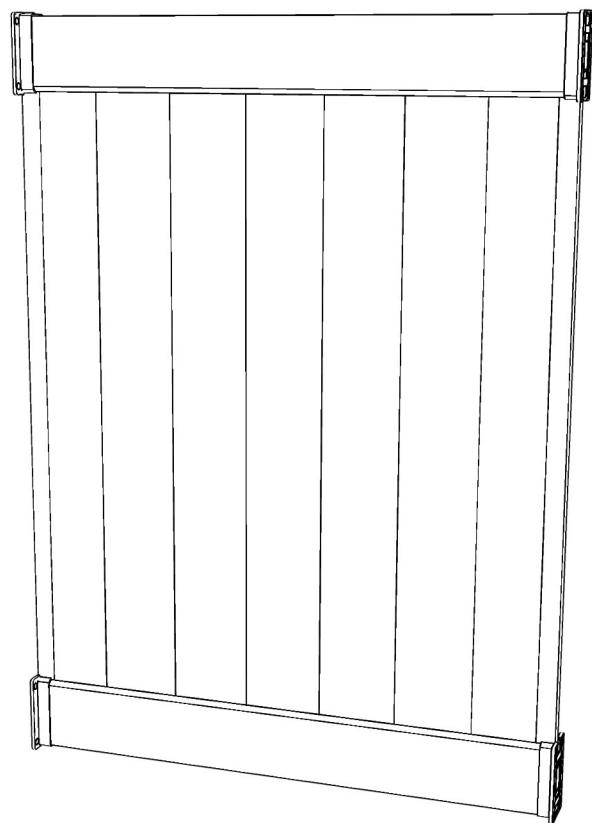


Liquid Sunshine[®]
OUTDOOR PRODUCTS

ECONOMY OUTDOOR SHOWER STALL **KNOCK DOWN WALL KIT**

Assembly and Installation Instructions

***Economy 40-1/2”
Wall***



*Shower Enclosure and Plumbing Sold Separately

Read Installation Instructions Completely Before Starting.

INSTALLATION SUPPORT HOTLINE:

CALL 1-844-743-5140

View Installation Videos At:

WWW.OUTSIDESHOWER.COM

Before You Begin:

- **Check Local Zoning Laws.** Zoning laws may restrict the location and height of your enclosure. Permits may also be required.
- **Tools and Materials.** Check that all tools and materials are present to properly assemble your enclosure.

Tool List:

- Line Level
- Post Level
- Tape Measure
- Ratchet Set
- Drill Gun #2, #3 Phillips
- Driver Bit Extender (Recommended)
- Safety Glasses
- Black Sharpie or Carpenters Pencil

Additional Materials:

- Rags and Spray Cleaner

Knock Down Wall Parts and Assembly:

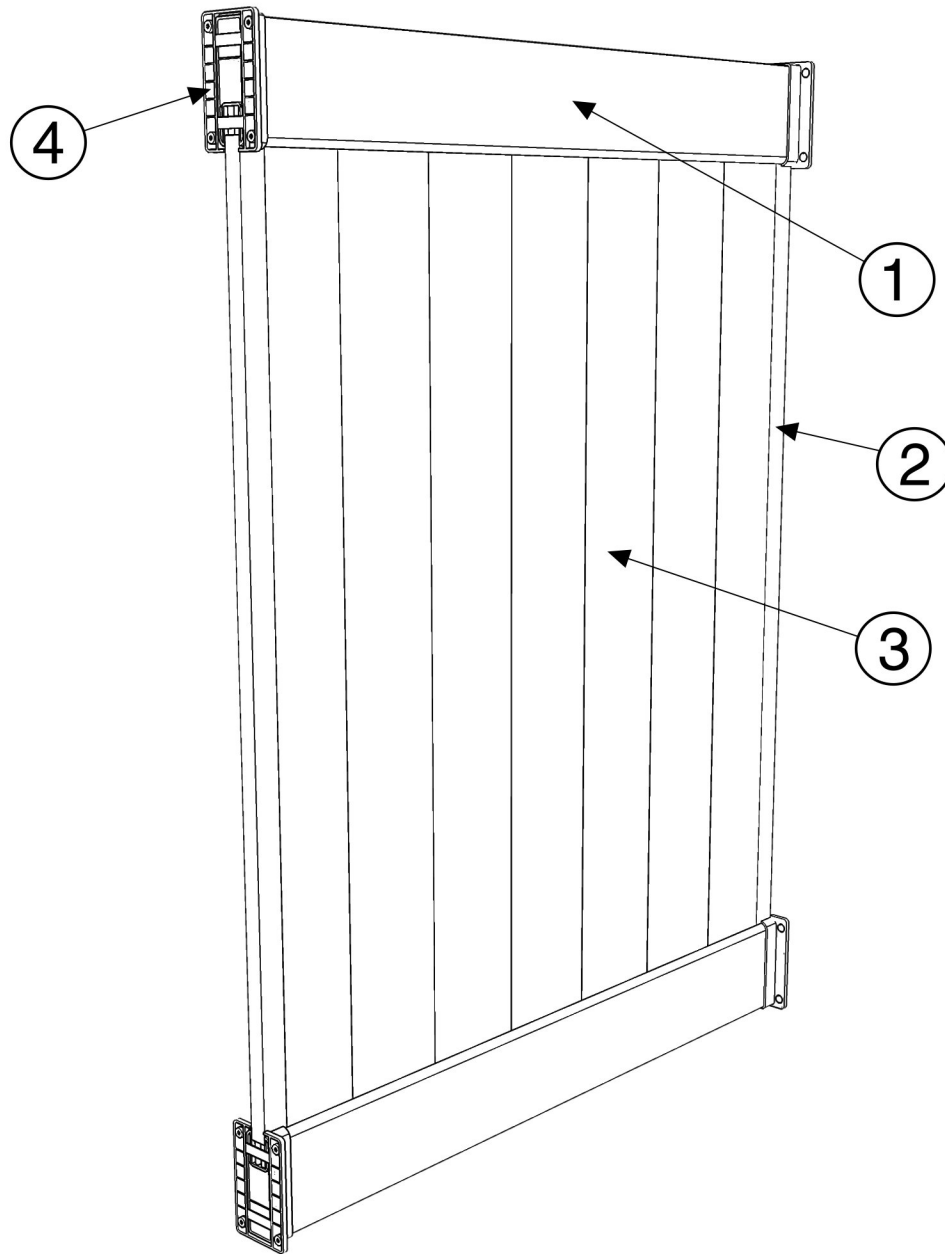
Please take a complete inventory of all parts prior to Wall Assembly. Do Not Attempt to assemble if parts are missing or damaged.

**For Replacement Parts or Assistance:
CALL 1-844-743-5140**

***View Installation Videos At:*
WWW.OUTSIDESHOWER.com**

ECONOMY OUTDOOR SHOWER STALL — KNOCK DOWN WALL KIT

Parts List



ITEM #	DESCRIPTION	QTY.
1	41.75"x5.47"x42.125" Privacy Panel Rail	2
2	1.02"x1.379"x47.5" U-Channel	2
3	0.875"x6"x52" — 0.35W Tongue and Groove Board	7
4	1.75"x5.5" Bracket Kit (Screws Included)	4
5	Pan Head Screw	16
6	Screw Head Cap	16



6



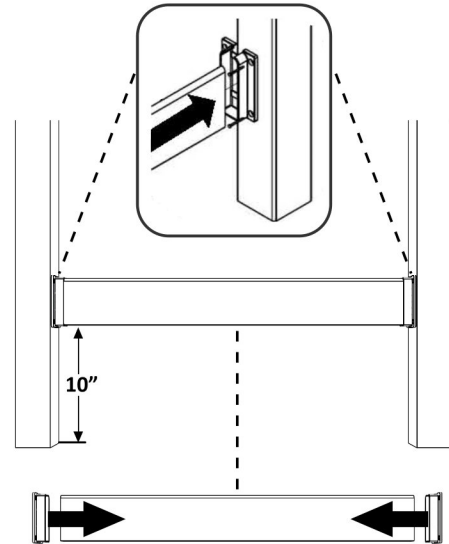
5

ECONOMY OUTDOOR SHOWER STALL — KNOCK DOWN WALL KIT

Wall Panel Installation

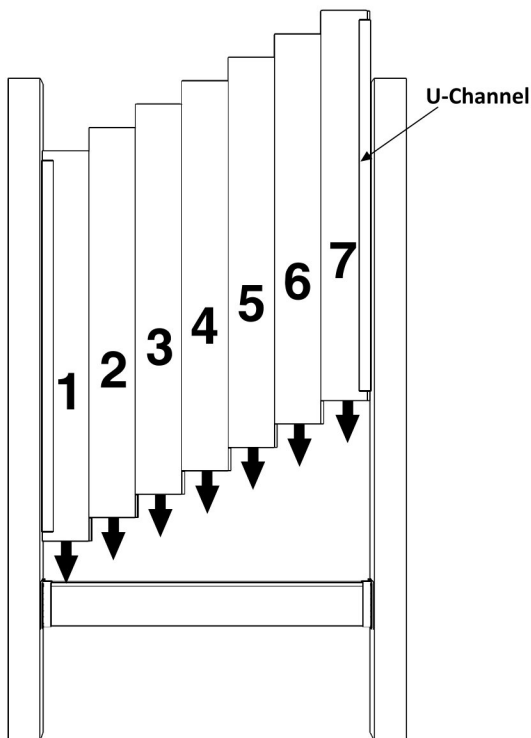
Step-1 Bottom Rail

1. Slide brackets onto bottom rail and lift rail into place between posts.
2. Offset bottom brackets 10" above finish grade and center bottom rail on posts.
3. Mount brackets to posts using included 4 screws per bracket. Insert white screw head caps to hide screws.



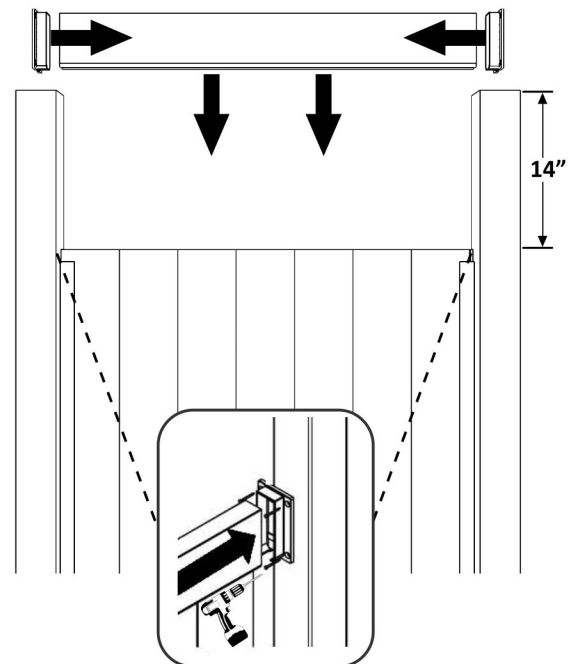
Step-2 Vertical Tongue and Groove Boards

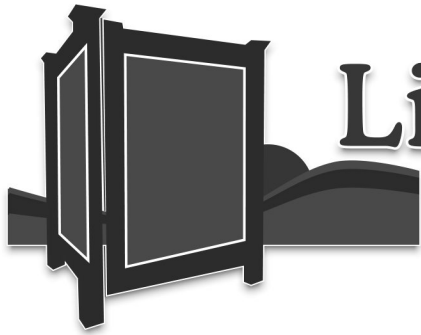
1. Insert vertical tongue and groove boards into bottom rail from left to right.
2. Place U-Channel centered vertically on edge of tongue and groove board #7 as shown.



Step-3 Top Rail

1. Slide brackets onto top rail and place rail on top of vertical tongue and groove boards.
2. Mount brackets to posts using included 4 screws per bracket. Insert white screw head caps to hide screws.





Liquid Sunshine[®]
OUTDOOR PRODUCTS

Do Not Contact The Store About
Missing Parts Or Installation Support.

For Replacement Parts or Assistance:

CALL 1-844-743-5140

View Installation Videos At:
WWW.OUTSIDESHOWER.COM