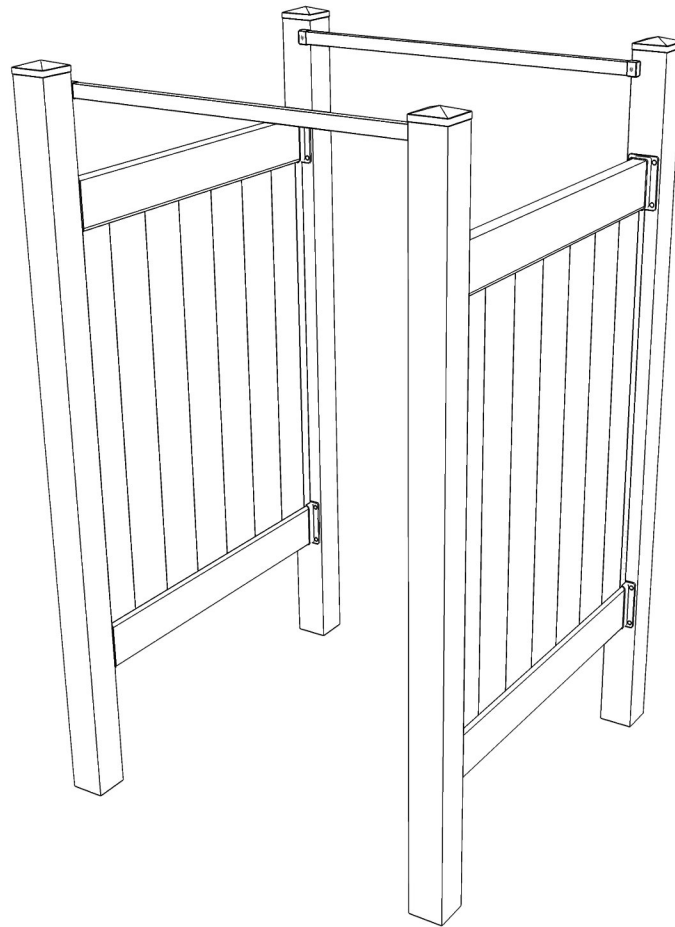


**Liquid Sunshine<sup>®</sup>**  
**OUTDOOR PRODUCTS**

## **ECONOMY OUTDOOR SHOWER STALL**

**Assembly and Installation Instructions**



\*Shower Curtain and Plumbing Sold Separately

***Read Installation Instructions Completely Before Starting.***

**INSTALLATION SUPPORT HOTLINE:**

**CALL 1-844-743-5140**

***View Installation Videos At:***

**[WWW.OUTSIDESHOWER.COM](http://WWW.OUTSIDESHOWER.COM)**



## Before You Begin:

- **Check Local Zoning Laws.** Zoning laws may restrict the location and height of your enclosure. Permits may also be required.
- **Underground Utilities.** Dial 811 to have underground utility lines marked. Even at shallow depths, utility lines can be present.
- **Tools and Materials.** Check that all tools and materials are present to properly assemble your enclosure.

## Tool List:

- Circular Saw / Hand Saw / Chop Saw
- Post Hole Digger / Auger
- Line Level
- Post Level
- Tape Measure
- Ratchet Set
- Drill Gun #2, #3 Phillips
- Driver Bit Extender (Recommended)
- Hammer
- Safety Glasses
- Black Sharpie or Carpenters Pencil

## Additional Materials:

- Rags and Spray Cleaner
- 4x4x96" Lumber
- Pre-Mixed Concrete
- Glue / Post Top Clips

## Enclosure Parts and Assembly:

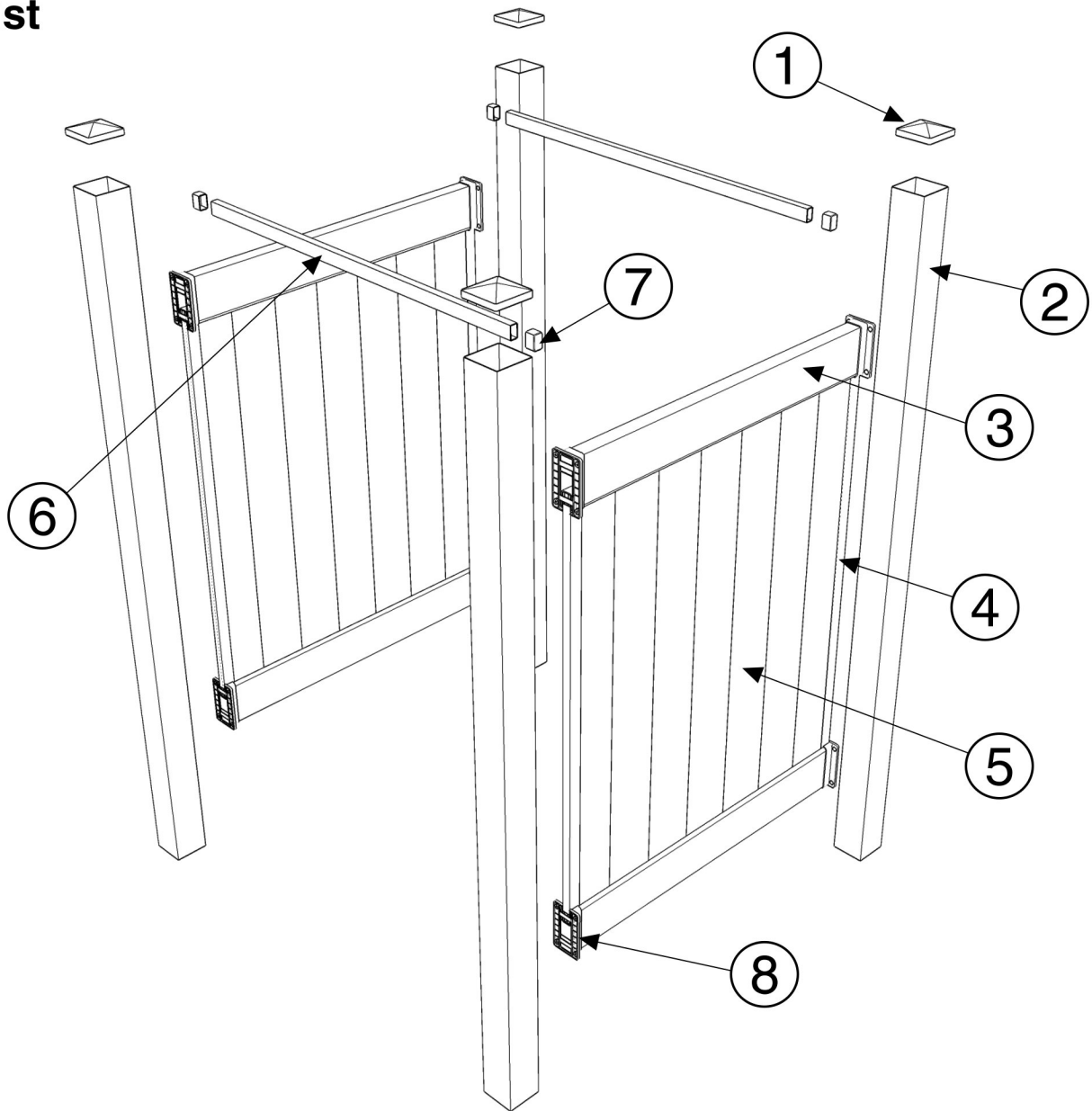
Please take a complete inventory of all parts prior to Enclosure Assembly. Do Not Attempt to assemble if parts are missing or damaged.

For Replacement Parts or Assistance:

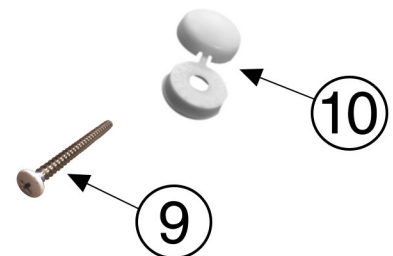
**CALL 1-844-743-5140**



**Parts List**



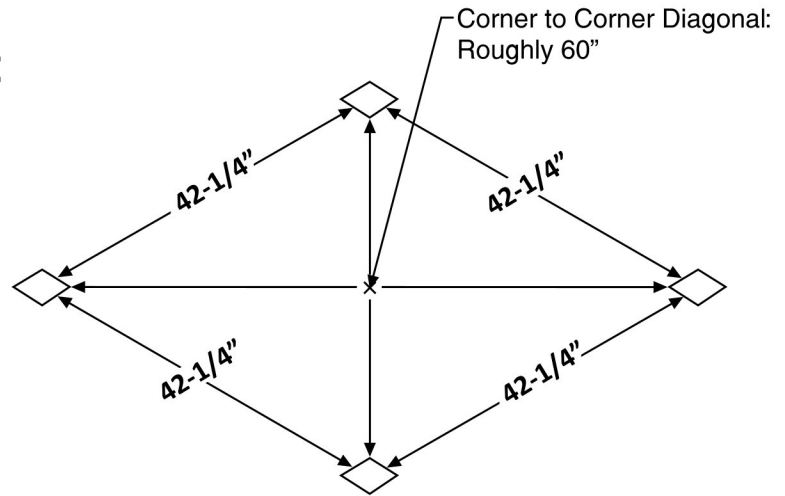
ITEM #	DESCRIPTION	QTY.
1	4"x4" Post Pyramid Top	4
2	4"x4"x96" Vinyl Post White	4
3	41.75"x5.47"x42.125" Privacy Panel Rail	4
4	1.02"x1.379"x47.5" U-Channel	4
5	0.875"x6"x52" — 0.35W Tongue and Groove Board	14
6	0.875"x1.5"x44.125" Curtain Rod	2
7	0.875"x1.5" End Cap	4
8	1.75"x5.5" Bracket Kit (Screws Included)	4
9	Pan Head Screw	32
10	Screw Head Cap	32





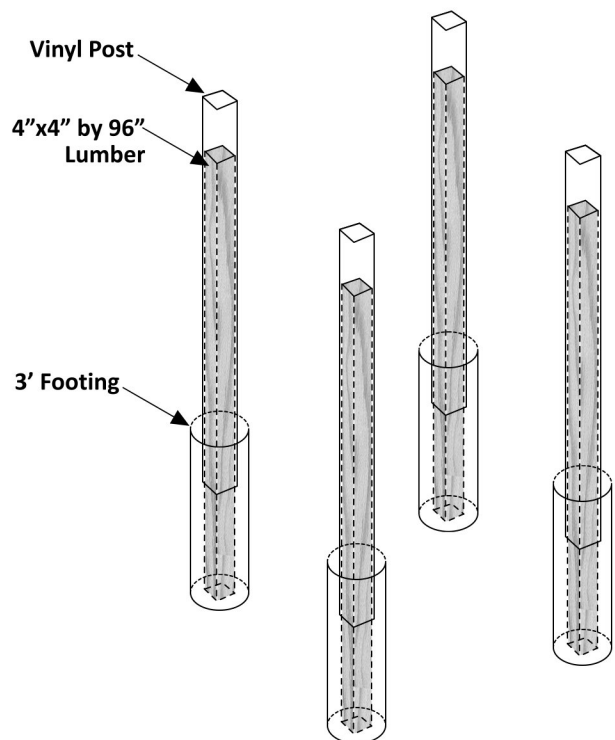
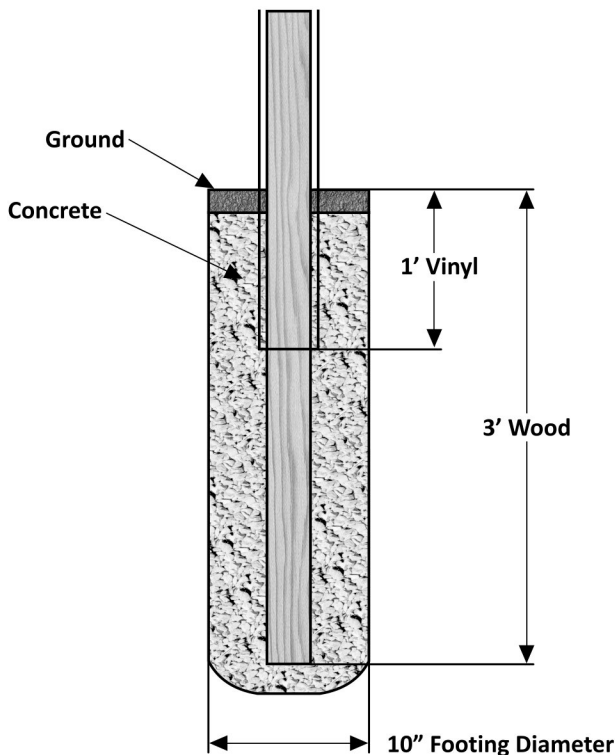
## 1. Measure and Mark Post Layout

1. Measure, mark, and “square” posts according to dimensions shown. Use “Corner to Corner Diagonal” dimension as a reference to ensure that posts are squared.



## 2. Post Installation

1. Dig a 3 foot deep by 10 inch diameter hole for each post footing. Use a **post hole digger** or an **auger**.
2. Slide **4x4 vinyl posts** over **4x4 by 96” lumber** so that 2 feet of lumber is extended below vinyl posts. Secure lumber to posts with included pan head screws below finish grade.
3. Insert posts and double-check measurements. Pour **pre-mixed concrete** into holes and use a **post level** to make plumb.

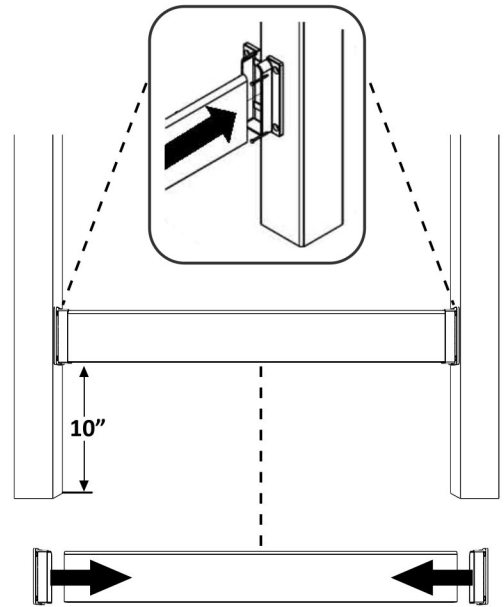




## 3. Wall Panel Installation

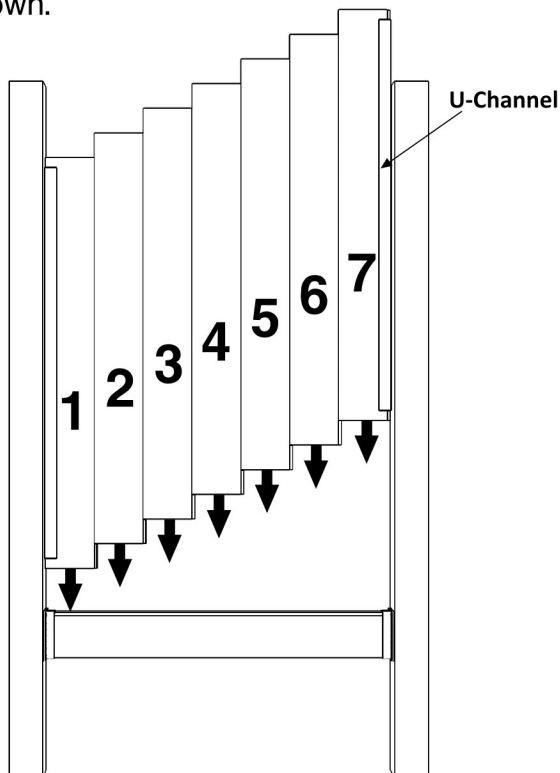
### Step-1 Bottom Rail

1. Slide brackets onto bottom rail and lift rail into place between posts.
2. Offset bottom brackets 10" above finish grade and center bottom rail on posts.
3. Mount brackets to posts using included 4 screws per bracket. Insert white screw head caps to hide screws.



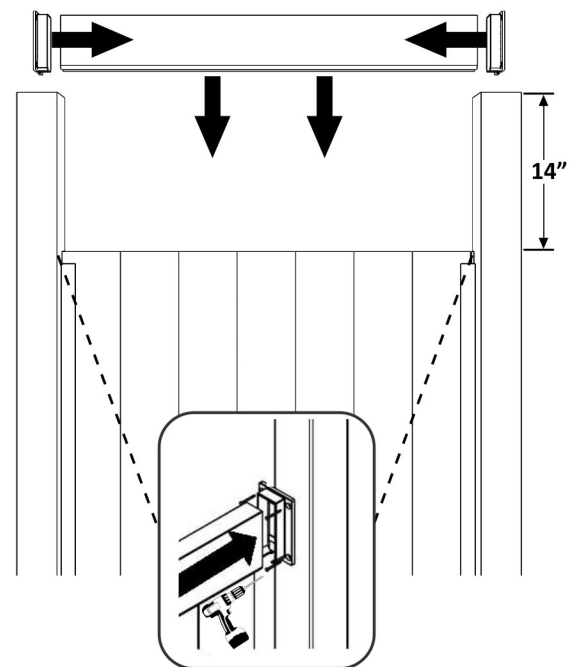
### Step-2 Vertical Tongue and Groove Boards

1. Insert vertical tongue and groove boards into bottom rail from left to right.
2. Place U-Channel centered vertically on edge of tongue and groove board #7 as shown.



### Step-3 Top Rail

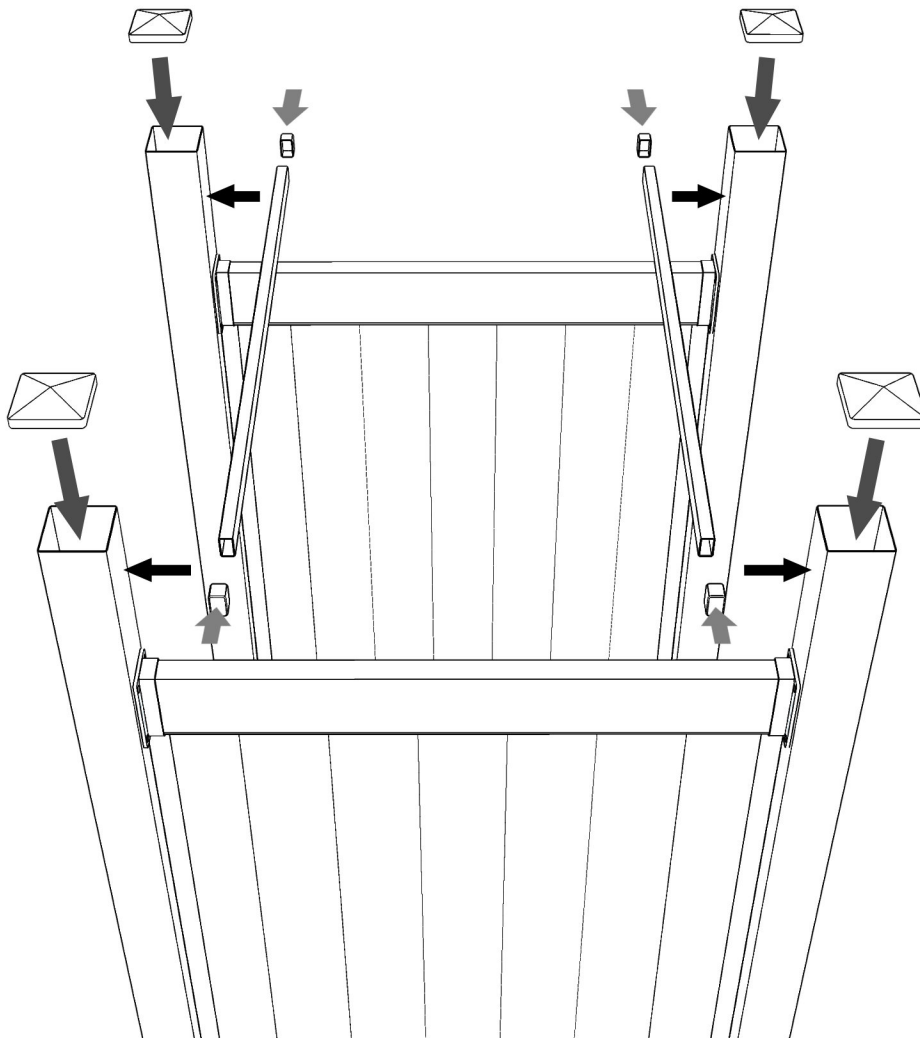
1. Slide brackets onto top rail and place rail on top of vertical tongue and groove boards.
2. Mount brackets to posts using included 4 screws per bracket. Insert white screw head caps to hide screws.





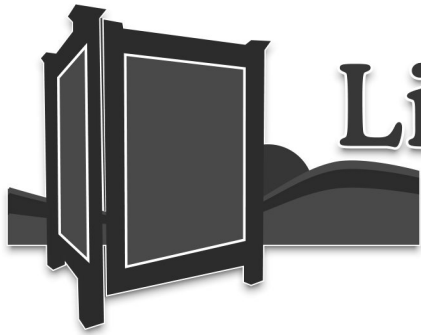
## 4. Curtain Rod Installation

1. Attach end caps to ends of curtain rods. Use **glue** to create a stronger bond.
2. Place curtain rods on interior side of posts as shown. Mount curtain rods to posts using included 2 pan head screws per rod. Insert white caps to hide screws.



## 5. Post Tops Installation

1. Place post tops on top of Posts. Use **glue or post top clips** to create a stronger bond.



**Liquid Sunshine<sup>®</sup>**  
**OUTDOOR PRODUCTS**

---

Do Not Contact The Store About  
Missing Parts Or Installation Support.

---

**For Replacement Parts or Assistance:**

**CALL 1-844-743-5140**

*View Installation Videos At:*  
**[WWW.OUTSIDESHOWER.COM](http://WWW.OUTSIDESHOWER.COM)**