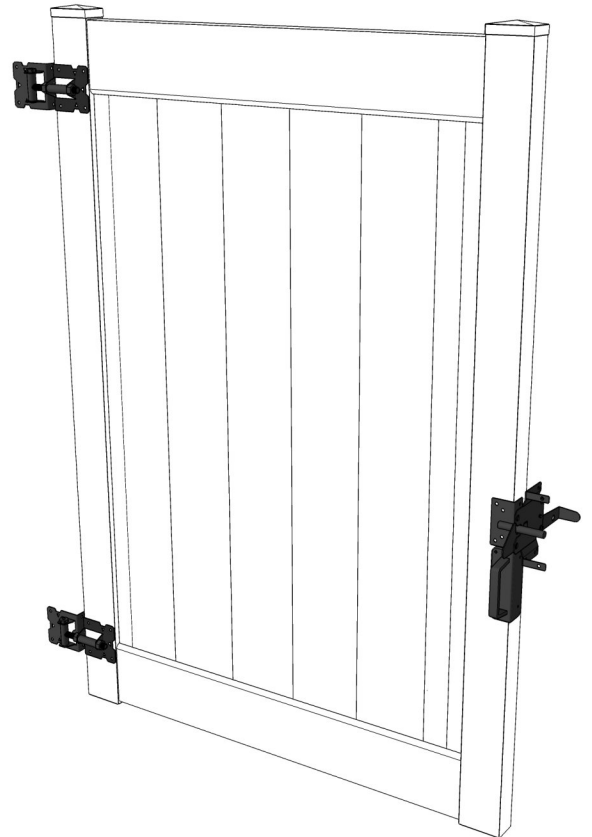


Liquid Sunshine[®]
OUTDOOR PRODUCTS

ECONOMY OUTDOOR SHOWER STALL **KNOCK DOWN SHOWER DOOR KIT**

Assembly and Installation Instructions

***Economy 40-1/2”
Door***



*Shower Enclosure and Plumbing Sold Separately

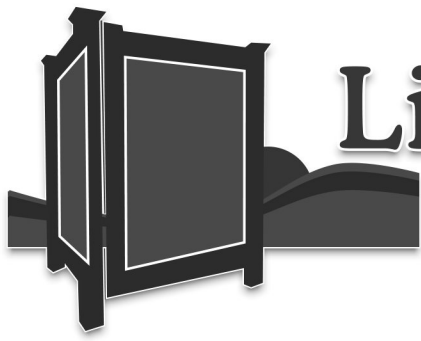
Read Installation Instructions Completely Before Starting.

INSTALLATION SUPPORT HOTLINE:

CALL 1-844-743-5140

View Installation Videos At:

WWW.OUTSIDESHOWER.COM



Liquid Sunshine[®]

OUTDOOR PRODUCTS

Before You Begin:

- **Local Zoning Codes.** Check with local zoning code requirements prior to purchase and installation.
- **Tools and Materials.** Check that all tools and materials are present to properly assemble your Knock Down Shower Door.

Tool List:

- Tape Measure
- Drill Gun
- Driver Bit Extender (Recommended)
- Circular Saw / Hand Saw / Chop Saw
- Mallet
- Rags and Spray Cleaner
- Safety Glasses
- Carpenters Pencil

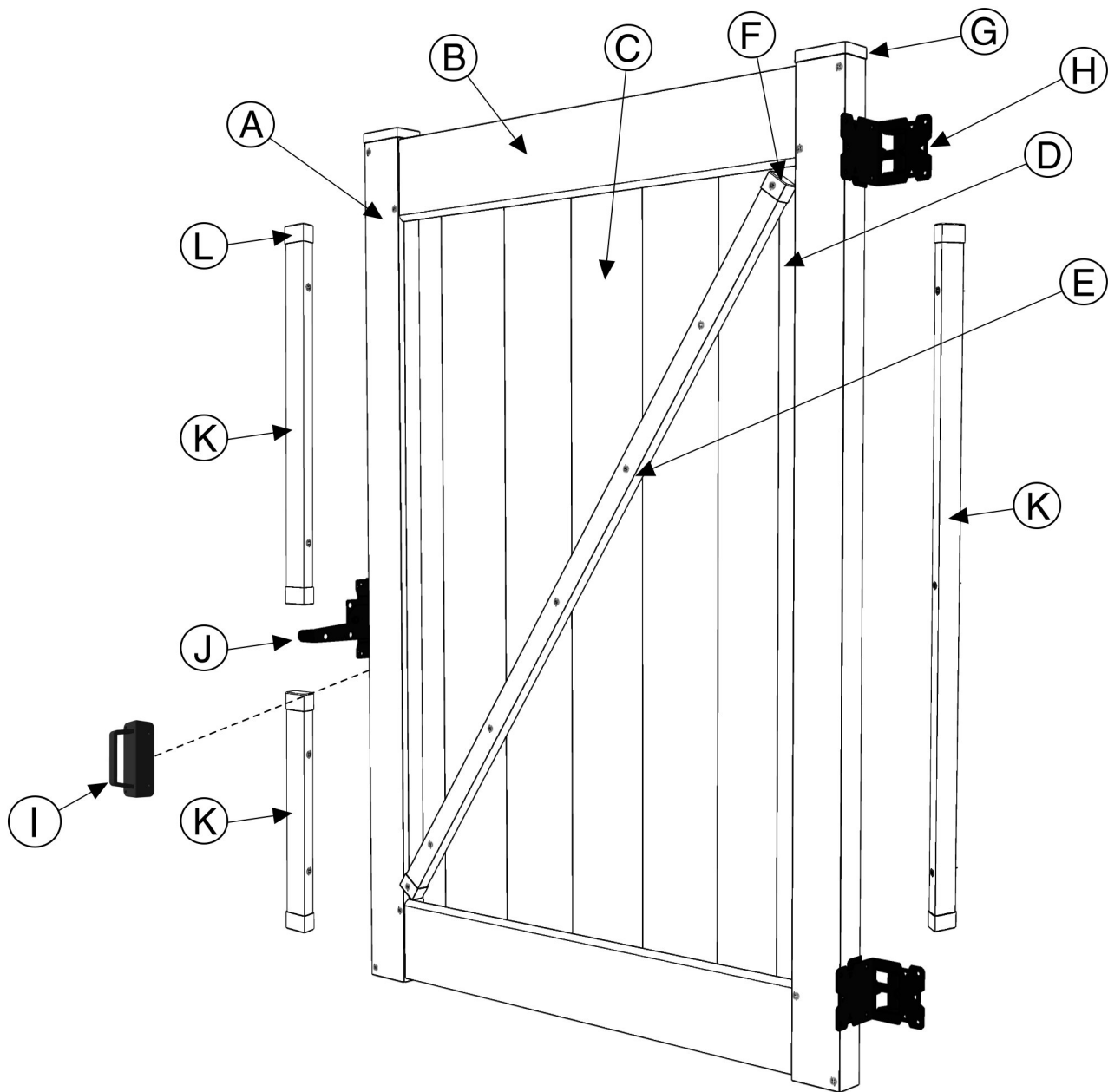
Knock Down Shower Door Parts and Assembly:

Please take a complete inventory of all parts prior to Knock Down Shower Door Assembly. Do Not Attempt to assemble if parts are missing or damaged.

For Replacement Parts or Assistance:

CALL 1-844-743-5140

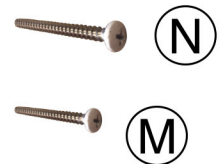
View Installation Videos At:
WWW.OUTSIDESHOWER.com



PART LEGEND

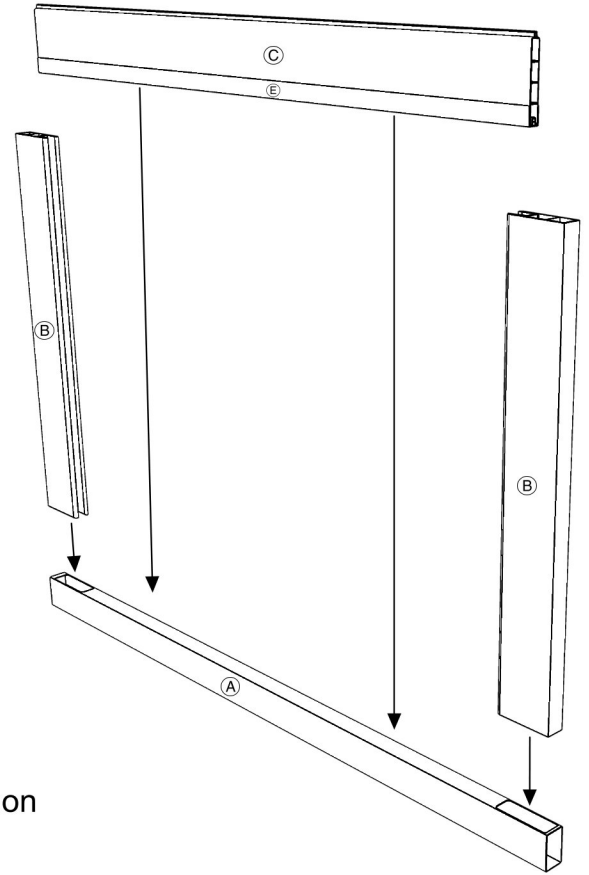
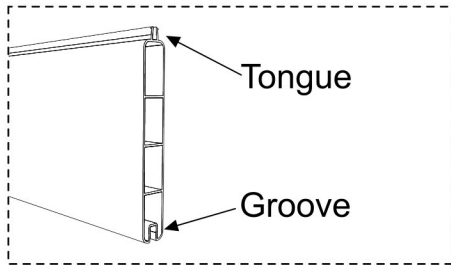
Qty

| | | |
|---|--------------------------|----|
| A | Door Upright | 2 |
| B | Deco Rail | 2 |
| C | Tongue and Groove Boards | 7 |
| D | U-Channel Strip | 2 |
| E | Brace | 1 |
| F | Brace End Cap | 2 |
| G | Door Upright End Cap | 2 |
| H | Self-Closing Hinge | 2 |
| I | Gate Handle | 2 |
| J | Paddle Latch | 1 |
| K | Hiney Hider Strips | 3 |
| L | Hiney Hider End Caps | 8 |
| M | 2" Hiney Hider Screws | 8 |
| N | Pan Head Screws | 15 |



1. Insert Deco Rails (B) into Door Upright (A).
2. Insert Tongue and Groove Board (C) with U-Channel Strip (E) into Deco Rails (B) and Slide down until the U-Channel Strip (E) is flush against the Door Upright (A).

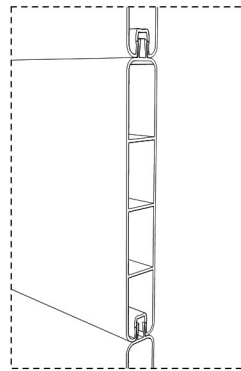
Note: The Tongue and Groove Boards must be oriented so that the Tongue is up and the Groove is down.



Note: The U-Channel Strip should be centered with the Tongue and Groove Board. Separate the U-Channel Strip from the Tongue and Groove Board and reposition if needed.

3. Slide remaining Tongue and Groove Boards (C) into Deco Rails (B) pushing each "Groove" onto the "Tongue" of the Board below it until they snap together.

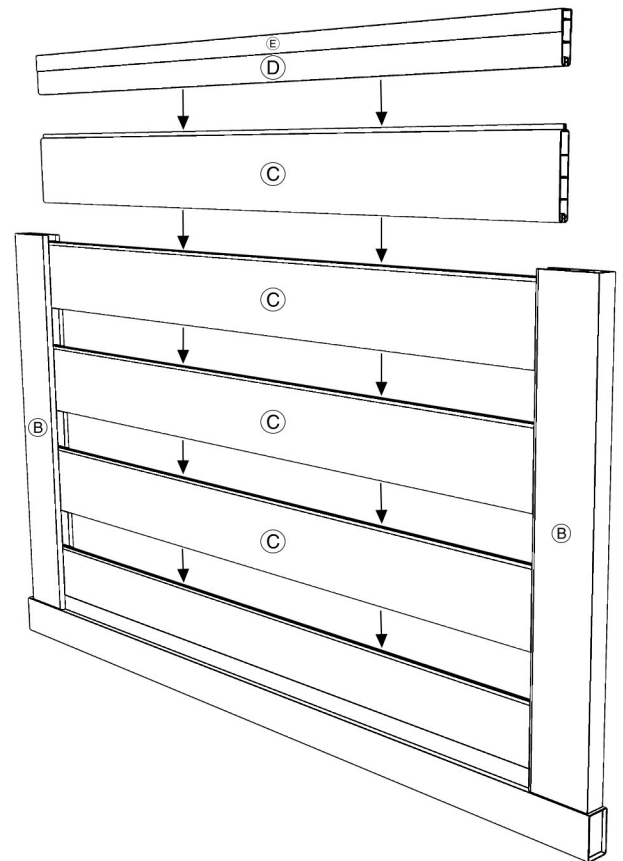
The Ripped Tongue and Groove Board (D) with U-Channel Strip (E) should be placed last.



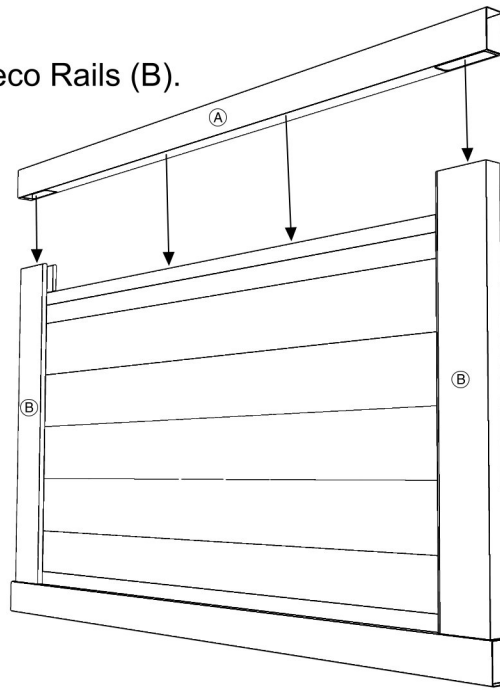
"Tongue" and "Groove" snap and lock together.

Note: The U-Channel Strip should be centered with the Ripped Tongue and Groove Board.

If needed, Separate the U-Channel Strip from the Ripped Tongue and Groove Board and reposition.



4. Place Door Upright (A) onto Ends of Deco Rails (B).



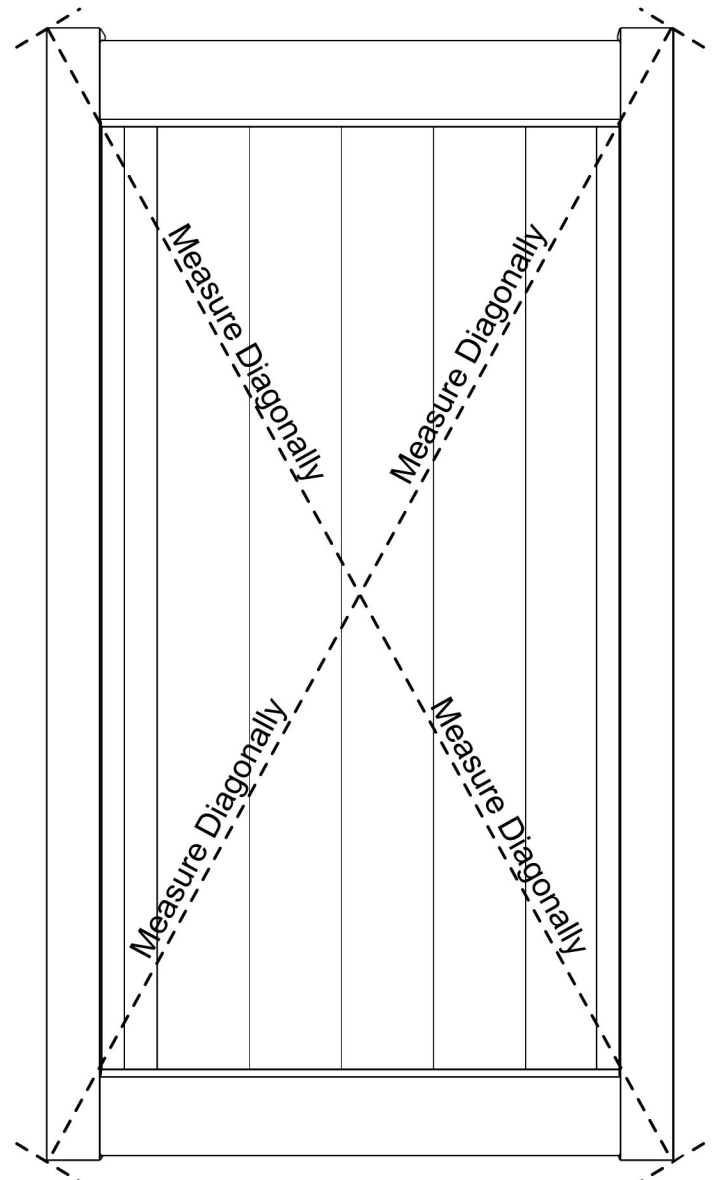
5. Place Door on a Flat Surface with the side of the door that will be the **“back”** facing up to Square the Door.

Measure diagonally from top of Left Door Upright to bottom of Right Door Upright.

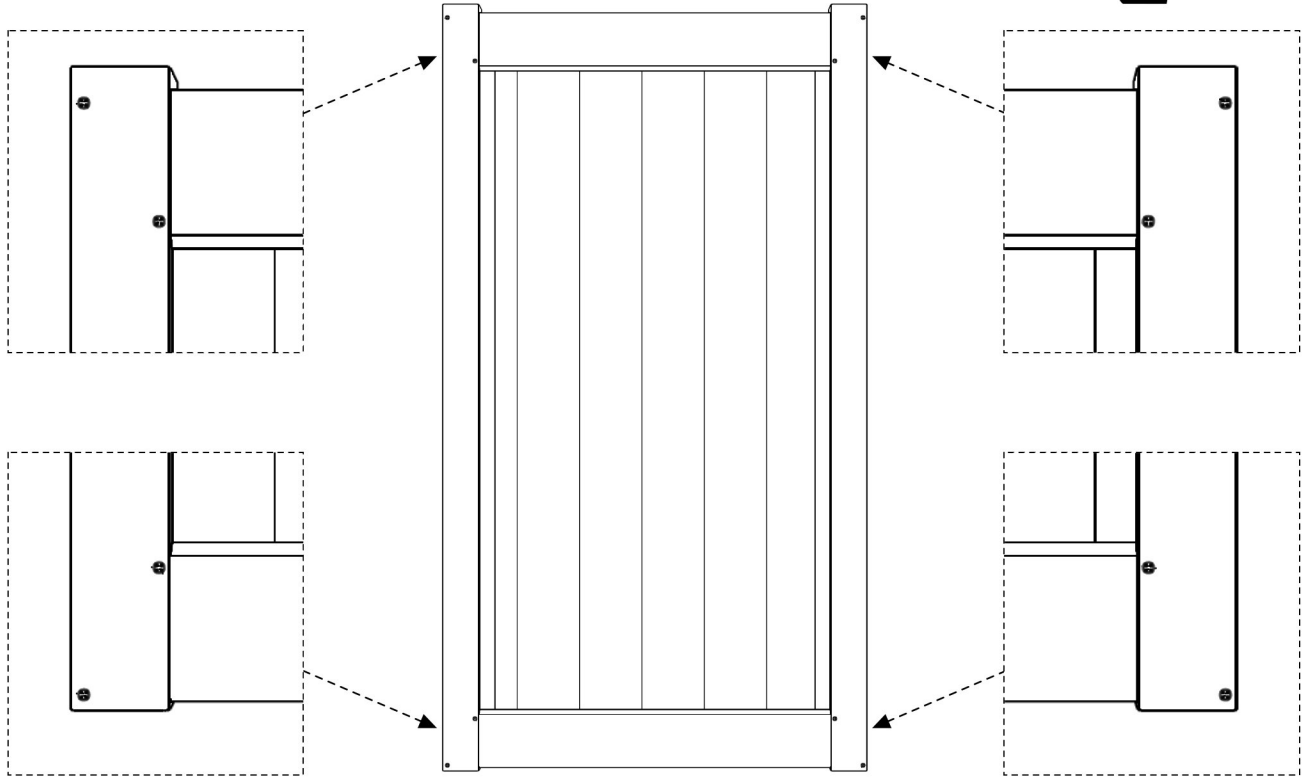
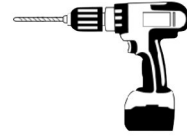
Then, measure diagonally from top of Right Door Upright to bottom of Left Door Upright.

If the diagonal measurements do not match, adjust the position of the Door Uprights and take both measurements again repeating this process until the measurements are the same.

The Door is Square when both diagonal measurements are the same.



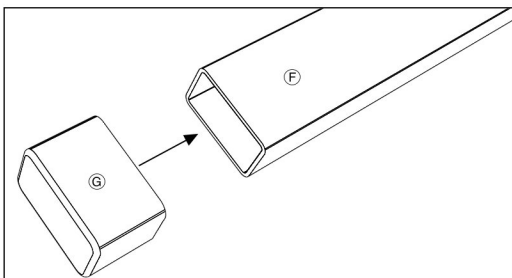
6. Drive screws through Door Uprights into Deco Rails as shown.



7. Place one Brace End Cap (G) on Brace (F).

Note: It is normal for the Brace End Caps to be tight fitting. If needed, use sandpaper or a file to shave the ends of the Brace slightly and tap with a mallet to help them go on the ends.

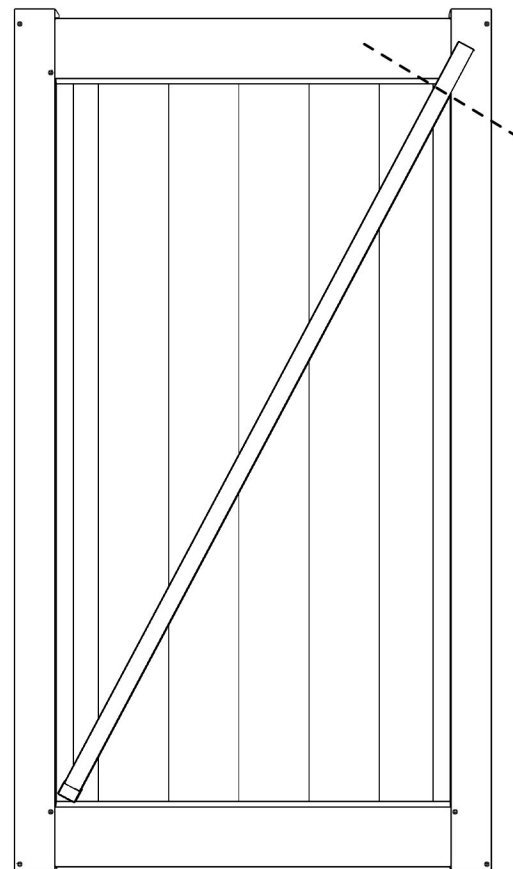
Note: Once Brace End Caps are on Brace, the ends of the Brace may show some deflection. This is normal.



8. Lay Brace diagonally across Door with the Brace End Cap positioned in the bottom corner.

9. Mark the opposite end of the Brace where it will be cut.

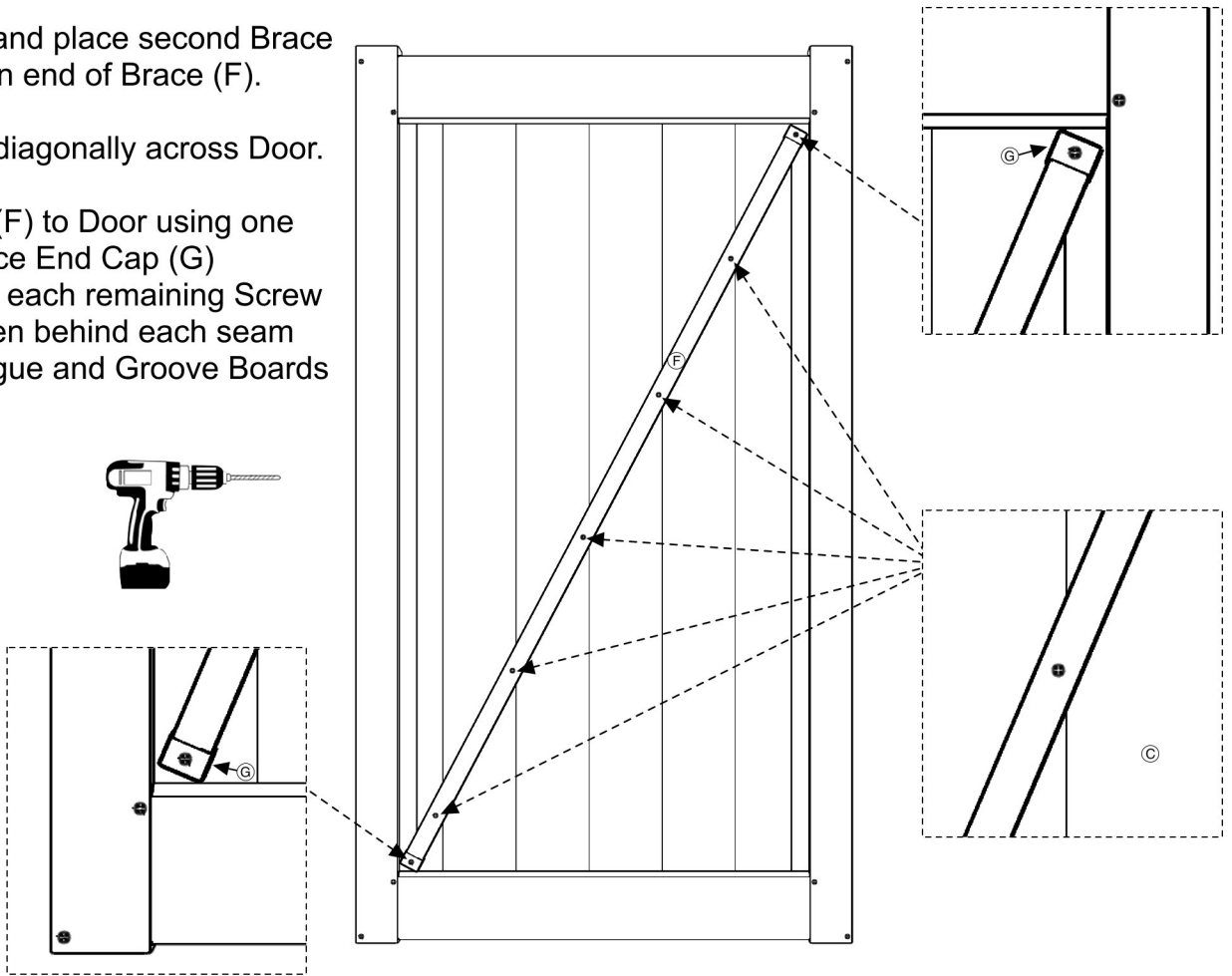
Brace must be cut so that when the second end cap is on the Brace the Brace will lay flat on Door and both Brace End Caps will be positioned inside their respective corners.



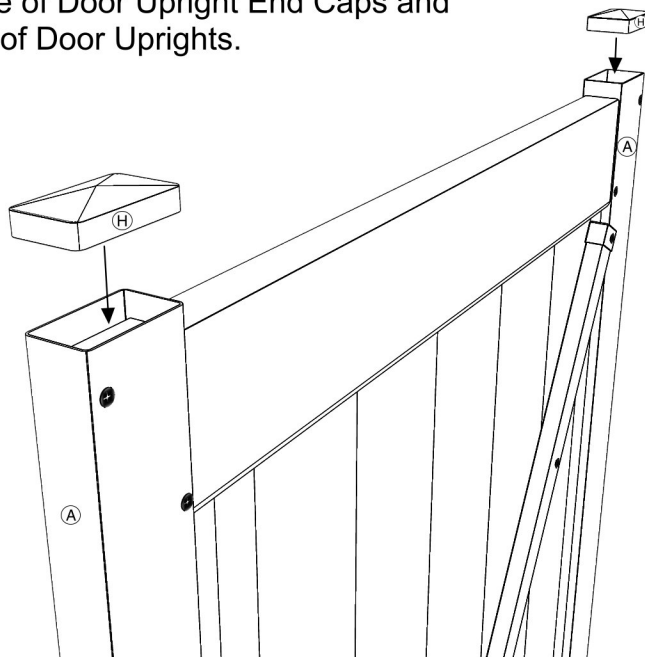
10. Cut Brace (F) and place second Brace End Cap (G) on end of Brace (F).

Lay Brace (F) diagonally across Door.

Secure Brace (F) to Door using one Screw per Brace End Cap (G) (centered) and each remaining Screw should be driven behind each seam where the Tongue and Groove Boards meet.

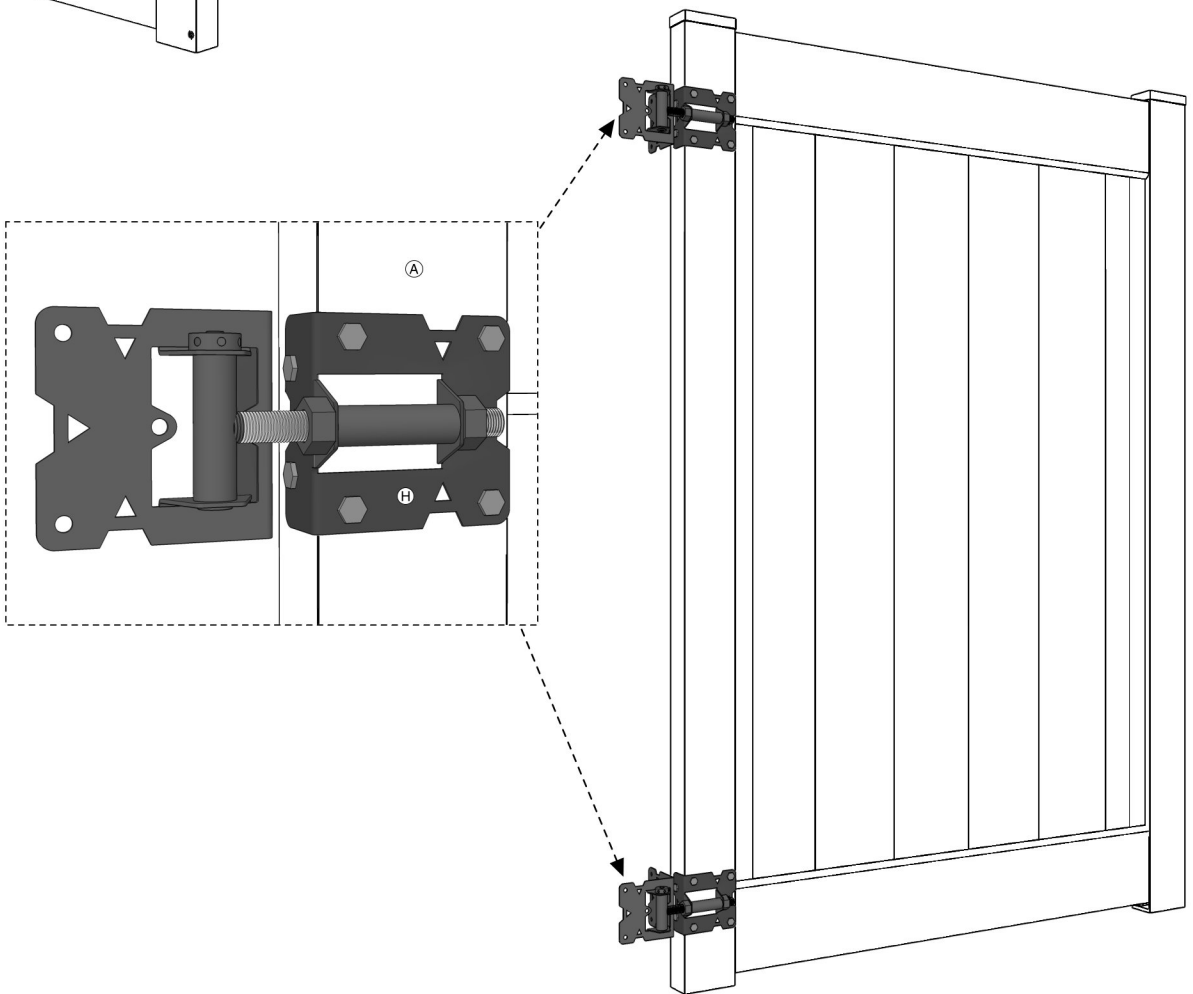
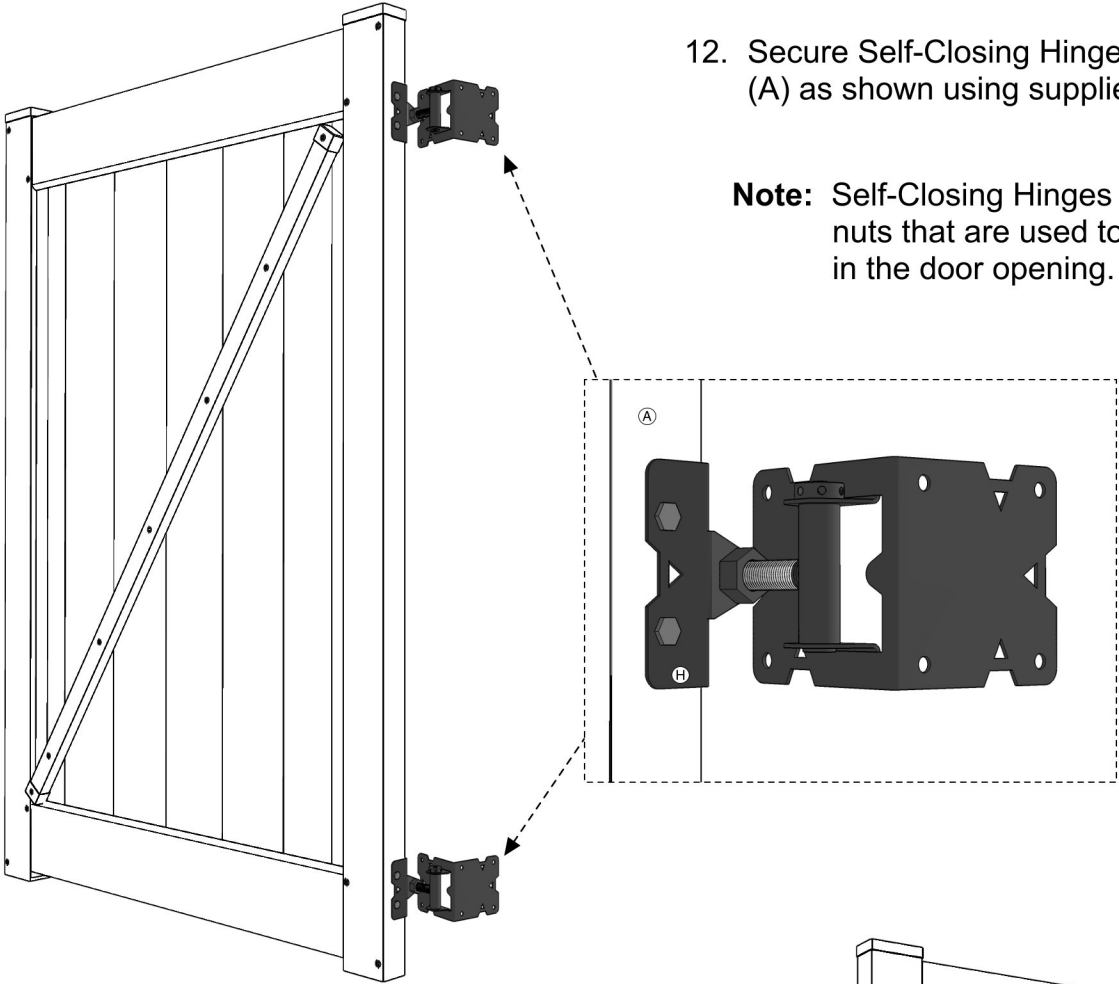


11. Apply adhesive to inside of Door Upright End Caps and place End Caps on top of Door Uprights.



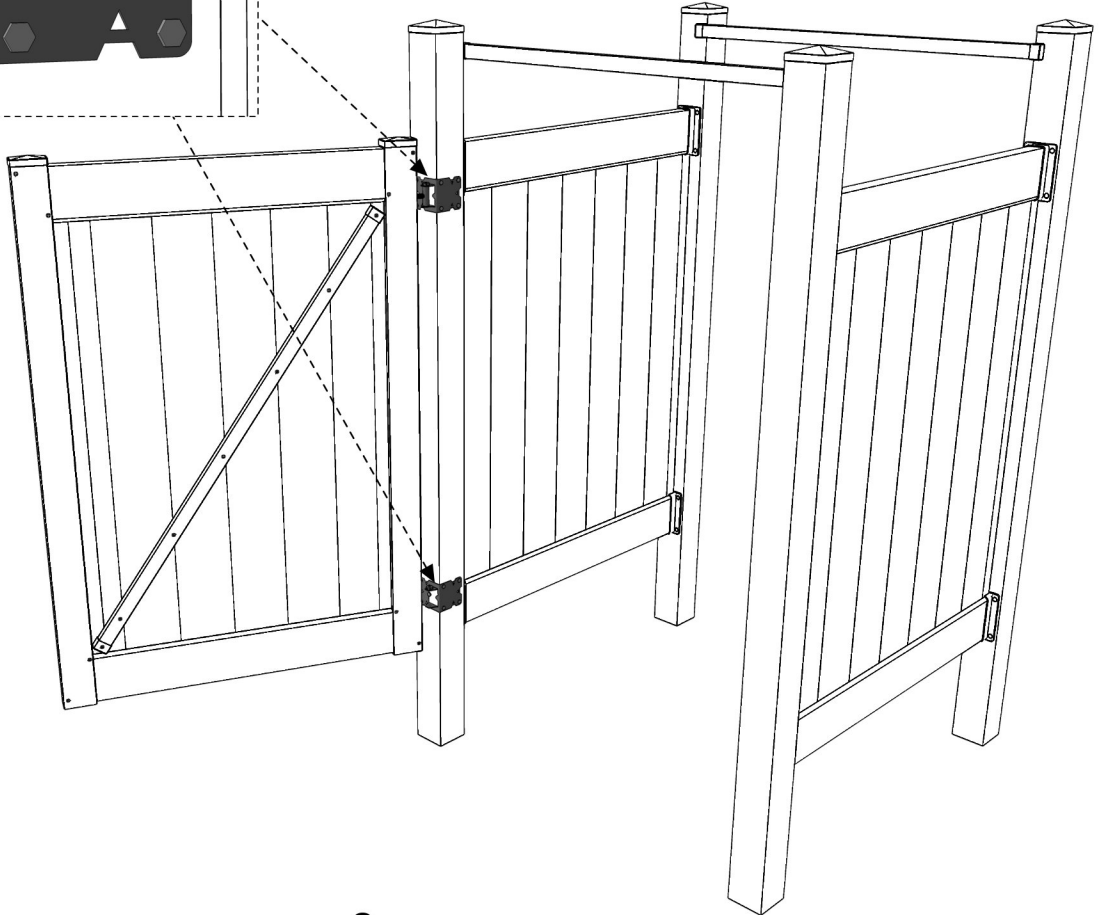
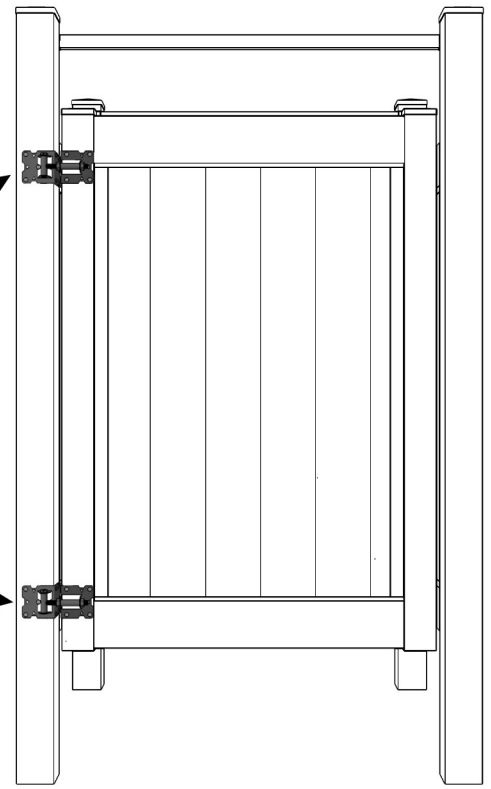
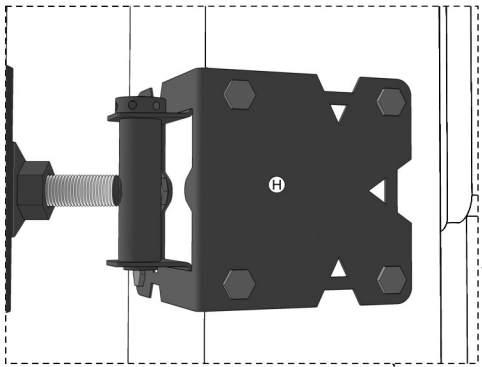
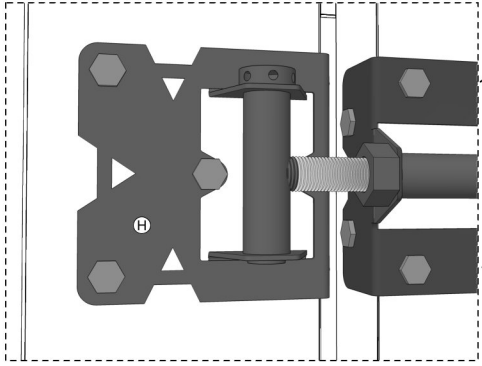
12. Secure Self-Closing Hinges (H) To Door Upright (A) as shown using supplied screws.

Note: Self-Closing Hinges have adjustable nuts that are used to center the door in the door opening.

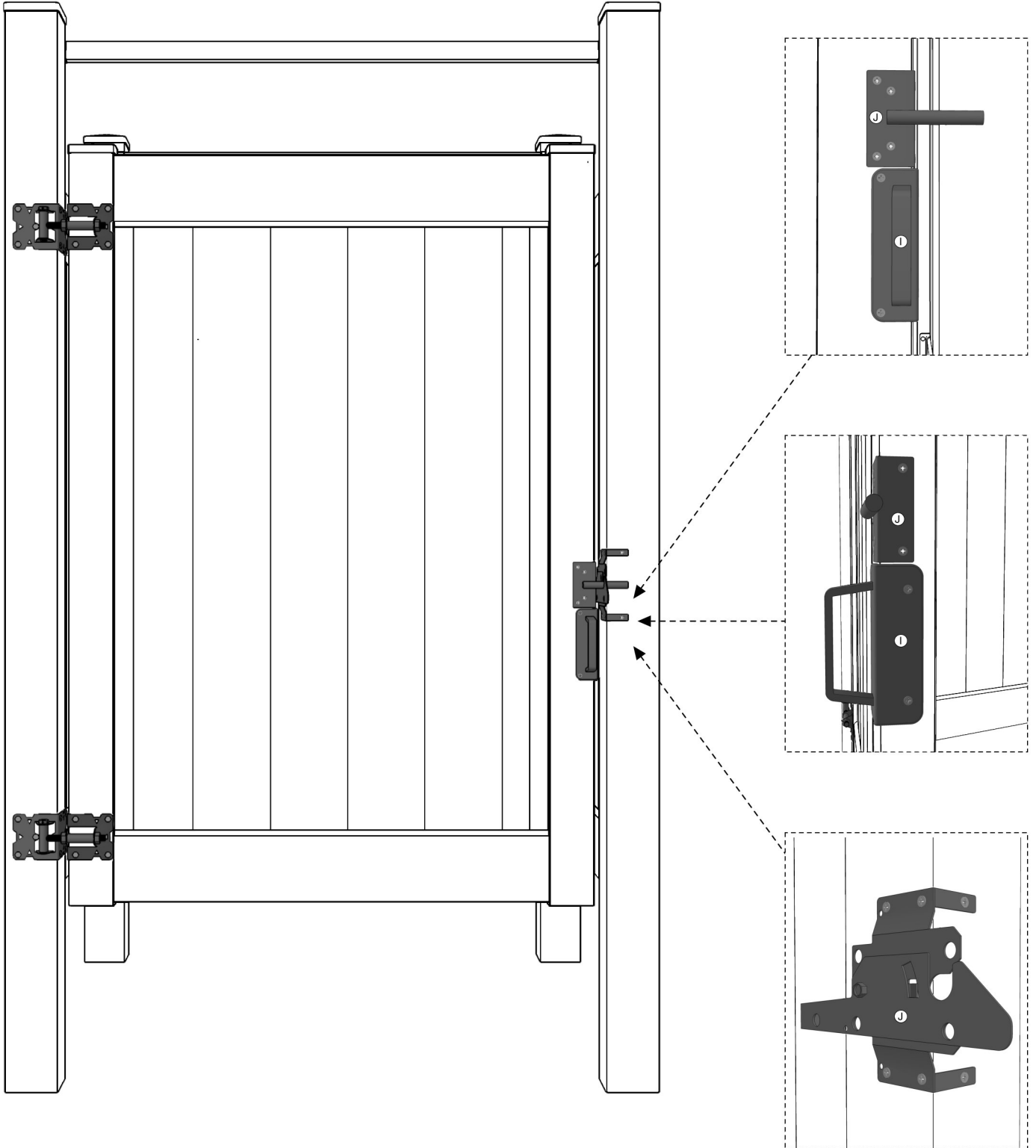
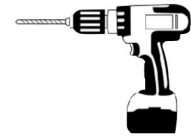


13. Orientate the Door so that the Brace is on the inside of the Enclosure. Secure Self-Closing Hinges (H) To Post as shown using supplied screws.

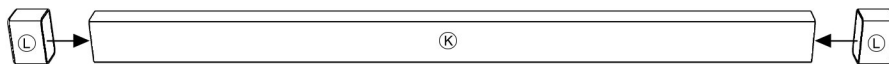
Note: Self-Closing Hinges have adjustable nuts that are used to center the door in the door opening.



14. Install Gate Handle (I) and Paddle Latch (J) at desired heights. Ensure that paddle latch components are aligned to allow the Door to open and shut.

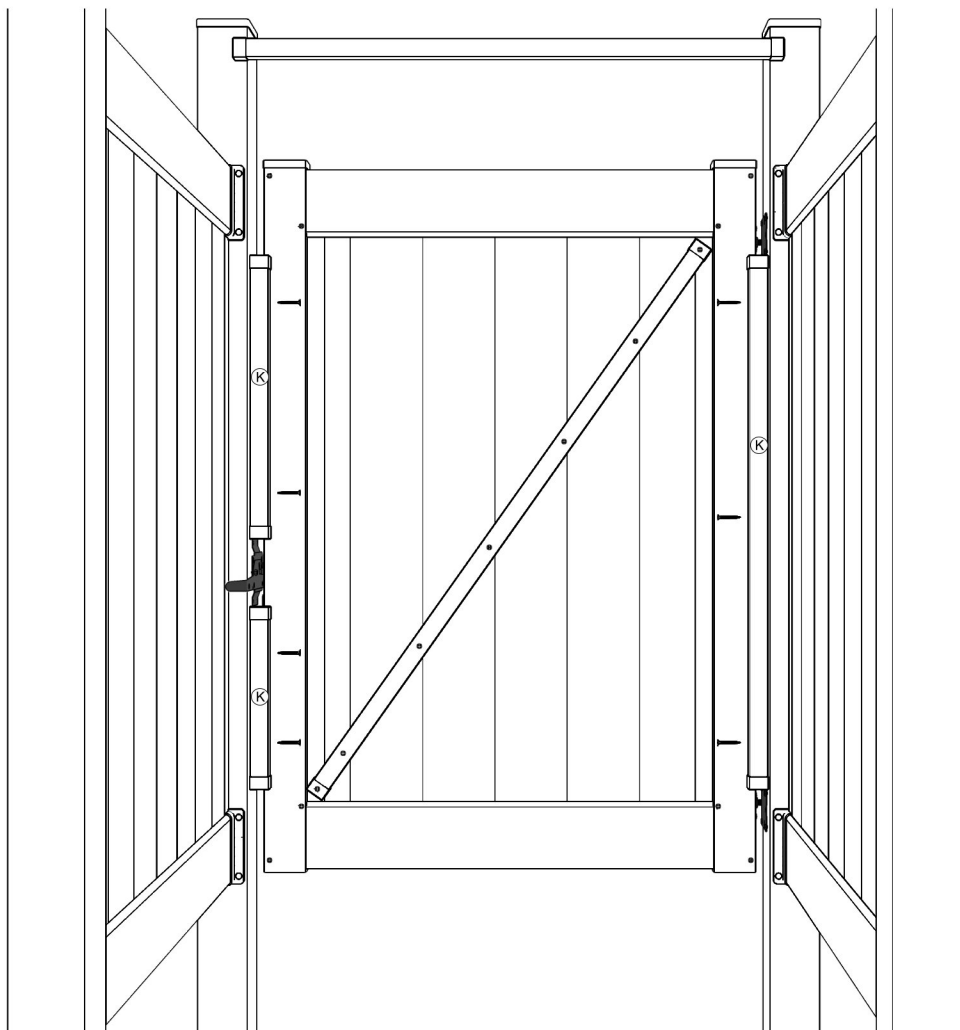
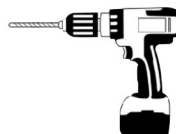


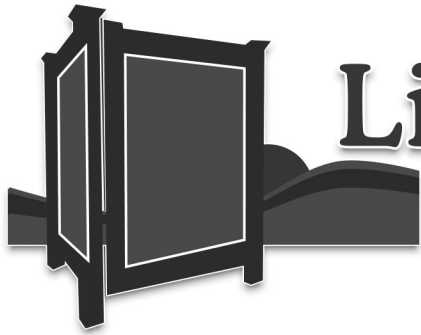
15. Place Hiney Hider End Caps (L) on ends of Hiney Hiders.



16. Place Hiney Hiders on inside of Posts as shown so that they are flush with the Door when the Door is closed. Secure Hiney Hiders to Posts using supplied screws.

Note: Hiney Hiders cover gaps between Door and Posts but also act as door stops.





Liquid Sunshine[®]
OUTDOOR PRODUCTS

Do Not Contact The Store About
Missing Parts Or Installation Support.

For Replacement Parts or Assistance:
CALL 1-844-743-5140

View Installation Videos At:
WWW.OUTSIDESHOWER.COM