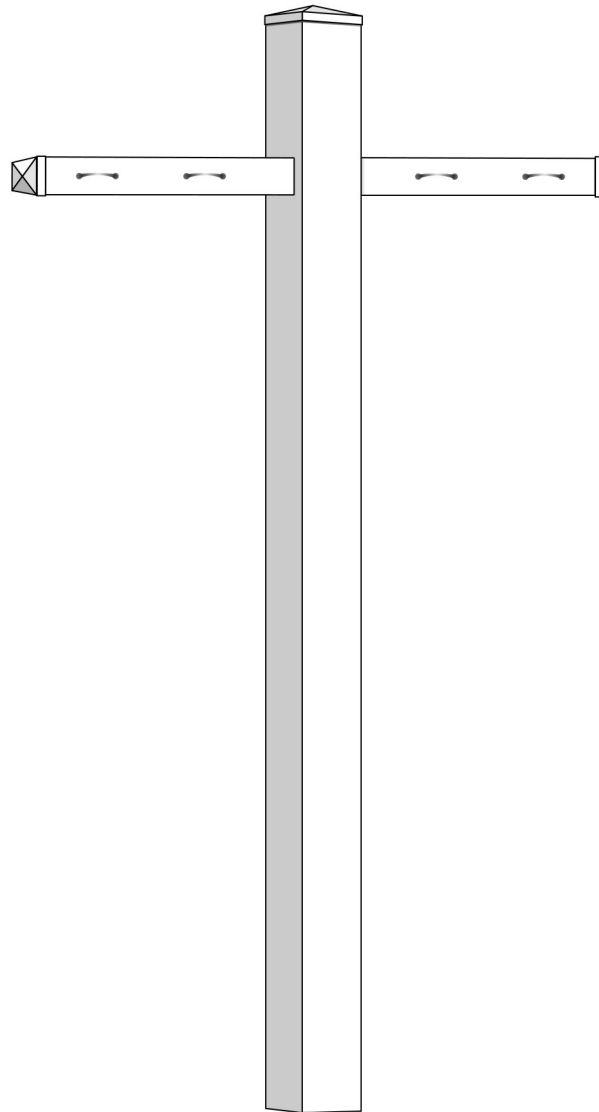


**CLOTHESLINE**  
A Liquid Sunshine® Product



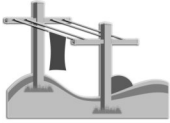
# ***CLOTHESLINE POST KIT***

*Assembly and Installation Instructions*



PLEASE READ INSTALLATION INSTRUCTIONS COMPLETELY BEFORE STARTING.

*Installation Support Hotline 1-800-499-FENCE*



Thank you for purchasing the Clothesline...A Liquid Sunshine® Product.  
Please read installation instructions completely before assembling your Clothesline.

### **IMPORTANT:**

*Before you begin...*

- Check Local Zoning Laws.

*Zoning laws may restrict the location and height of your clothesline, permits may also be required.*

- Underground Utilities.

*Dial 811 and pay to have underground utility lines marked. Even at shallow depths utility lines can be present.*

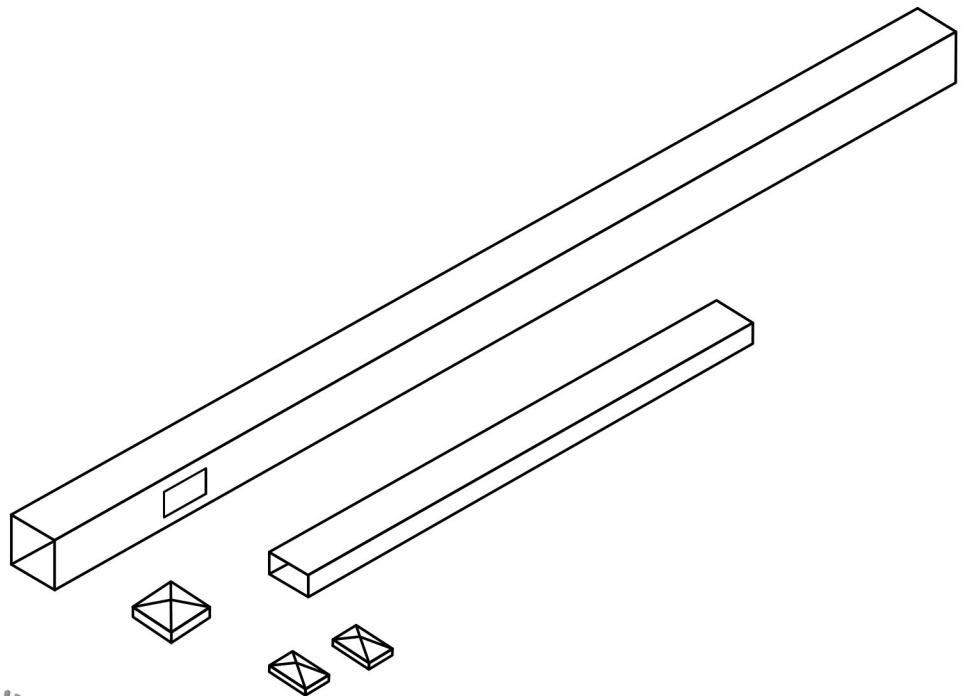
- Check that all tools and materials are present to properly assemble your clothesline.

### **Clothesline Parts and Assembly**

PLEASE TAKE A COMPLETE INVENTORY OF ALL PARTS PRIOR TO CLOTHESLINE ASSEMBLY. DO NOT ATTEMPT TO ASSEMBLE IF PARTS ARE MISSING OR DAMAGED.

For replacement parts or assistance dial:

**1-800-499-FENCE**





## ***Assembly Instructions***

**1-800-499-FENCE**

*Installation Support Hotline /  
www.OutsideShower.com*

### ***Tool List:***

- Line Level
- Post Level
- Tape Measure
- Drill Gun #2, #1 Phillips
- Driver Bit Extender (Recommended)
- Hammer
- Rags and Spray Cleaner
- Safety Glasses

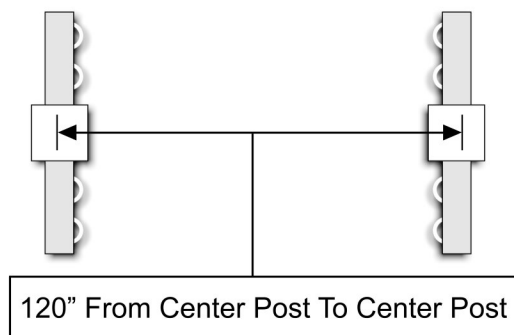
### ***Additional Materials Required:***

GROUND FOOTING INSTALLATION:

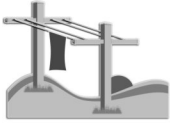
Post Hole Digger

- Shovel
- Pre-Mix Concrete (1 Bag)
- 4"x4" by 96" Lumber (2)**

## ***1. Measure and Mark Post Layout***



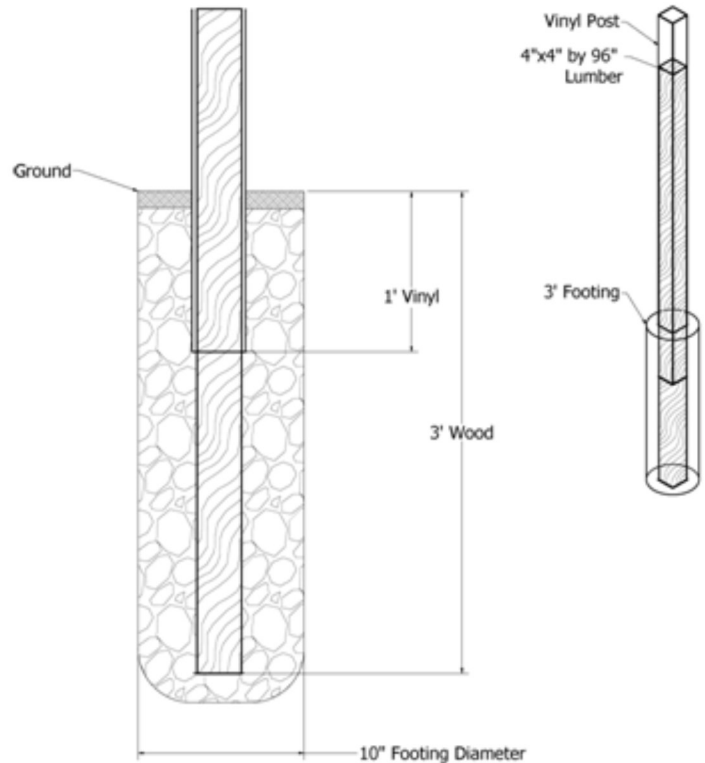
NOTE: Post To Post Spacing Must Not Exceed More Than 10FT On Center



## 2. Post Installation

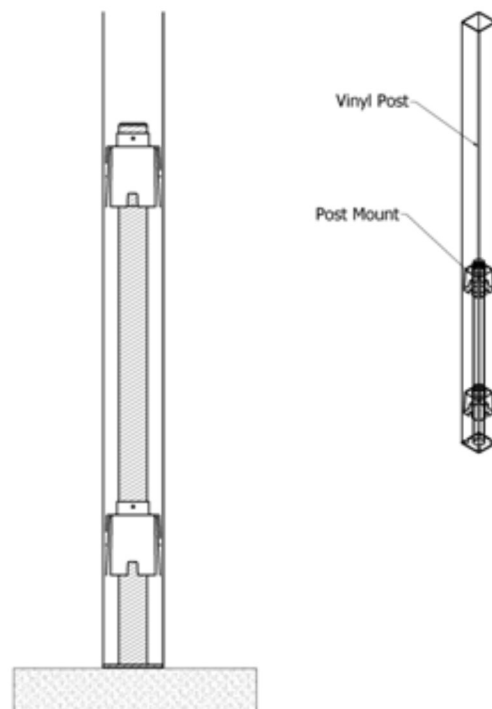
### ***In-Ground Method:***

1. Dig a 3' deep by 10" diameter hole for each post footing. Use a **Post Hole Digger** when an **Auger** is not available.
2. Slide vinyl post over **4x4 by 96" lumber** so that 2 feet of lumber is extended below vinyl post. Secure lumber to posts with **screws** below finish grade.
3. Insert posts and double-check measurements. Pour **pre-mixed concrete** into hole and use a **post level** to make plumb.



### ***Post Mount Method:***

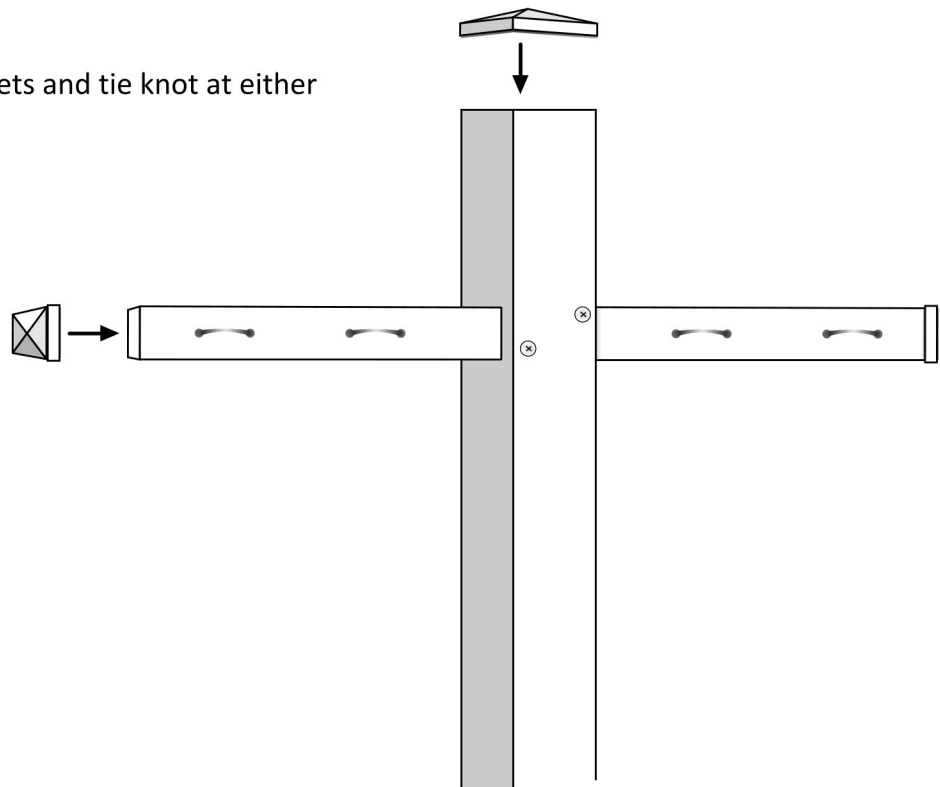
1. Pre-drill four holes per mount using appropriate **drill** and **bit** sizes for your fastener.
2. Secure with **cement screw anchors** for concrete, or **lag bolts** for wood surfaces.
3. Cut vinyl post to desired height with **saw**. Recommended post height is 84", or 90".
4. Slide vinyl posts over mounts. Vinyl posts can be secured to mounts with screws but is not required.





### **3. Horizontal Rail and Hardware Installation**

1. Insert Wood 2x4 into Vinyl 2x4.
2. Insert horizontal Vinyl 2x4 through pre-cut hole in post. Vinyl 2x4 can be positioned left, center, or right as needed.
3. Secure horizontal rail to post with included 1-1/2 white head screws.
4. Glue end caps and post cap.
5. Screw on SS eyelets with non-painted #1 Phillips screws.
6. String rope through eyelets and tie knot at either end.



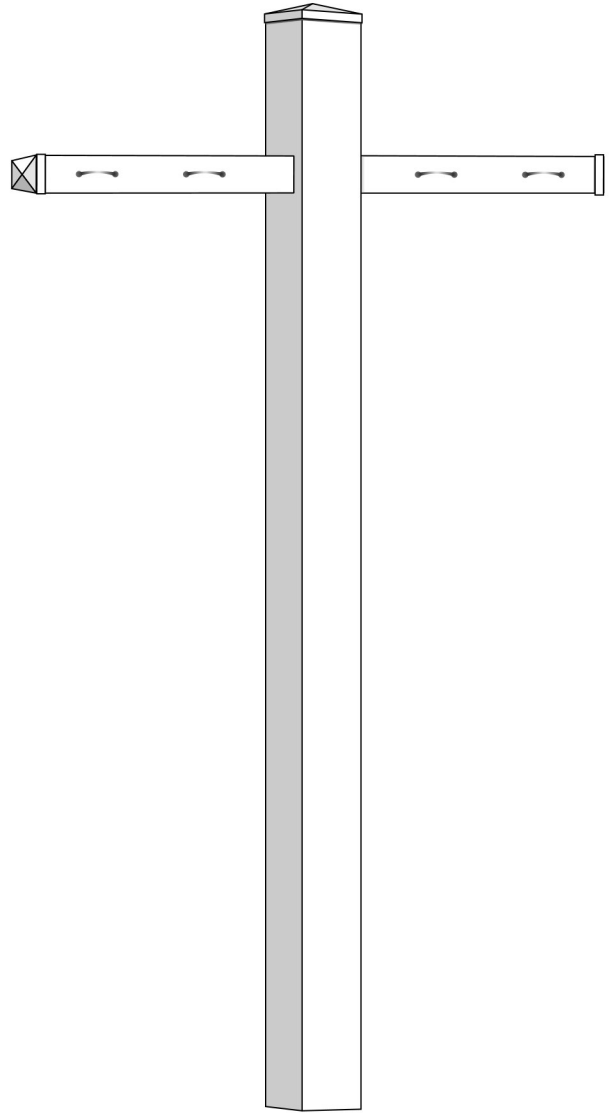
***Thank you for purchasing your Clothesline from  
Liquid Sunshine® Outdoor Products!***

*Still need help?*

**1-800-499-FENCE**

*Installation Support Hotline*

*www.OutsideShower.com*



DO NOT RETURN CLOTHESLINE  
PARTS TO STORE.

**CALL**

**1-800-499-FENCE**

*Thank you*