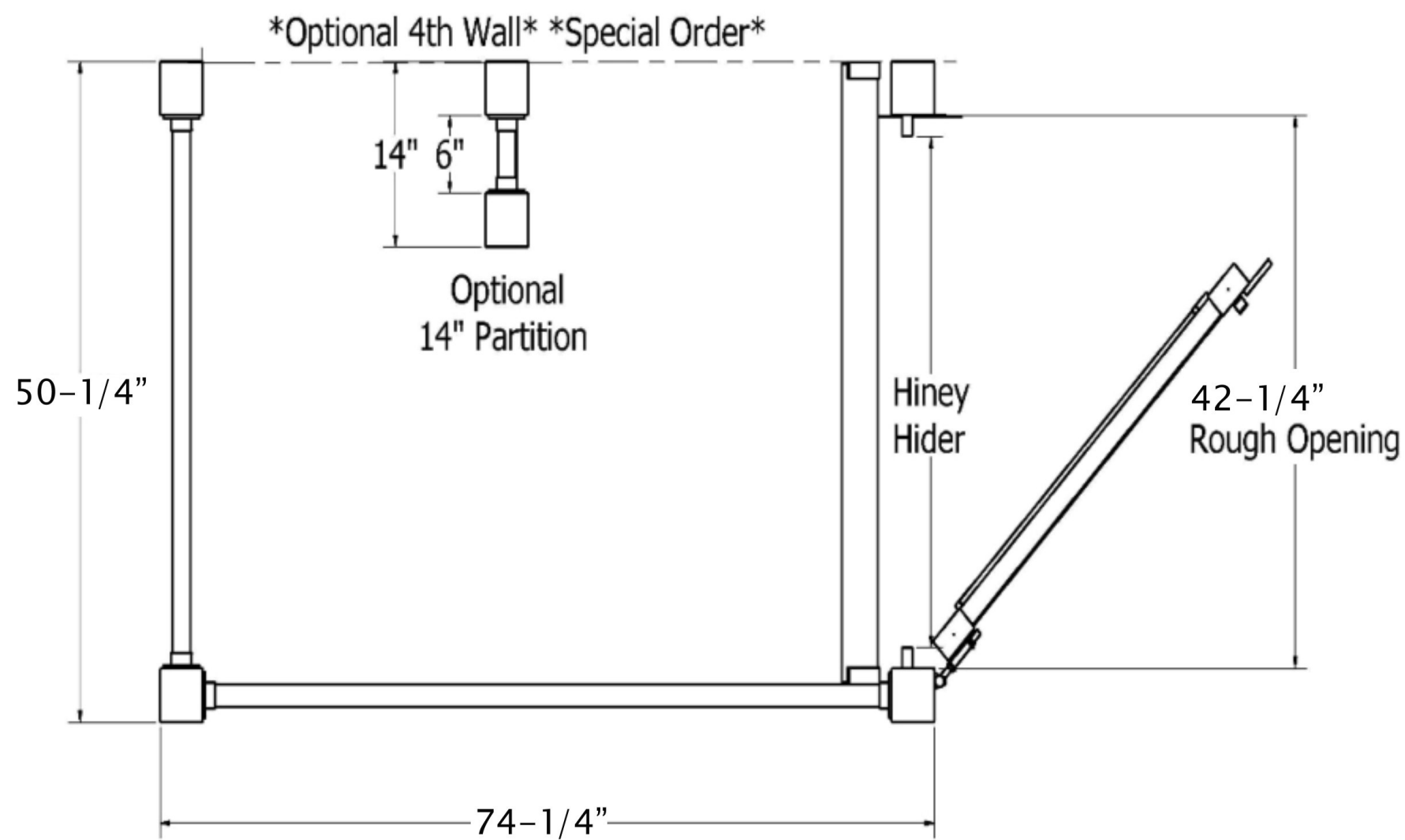
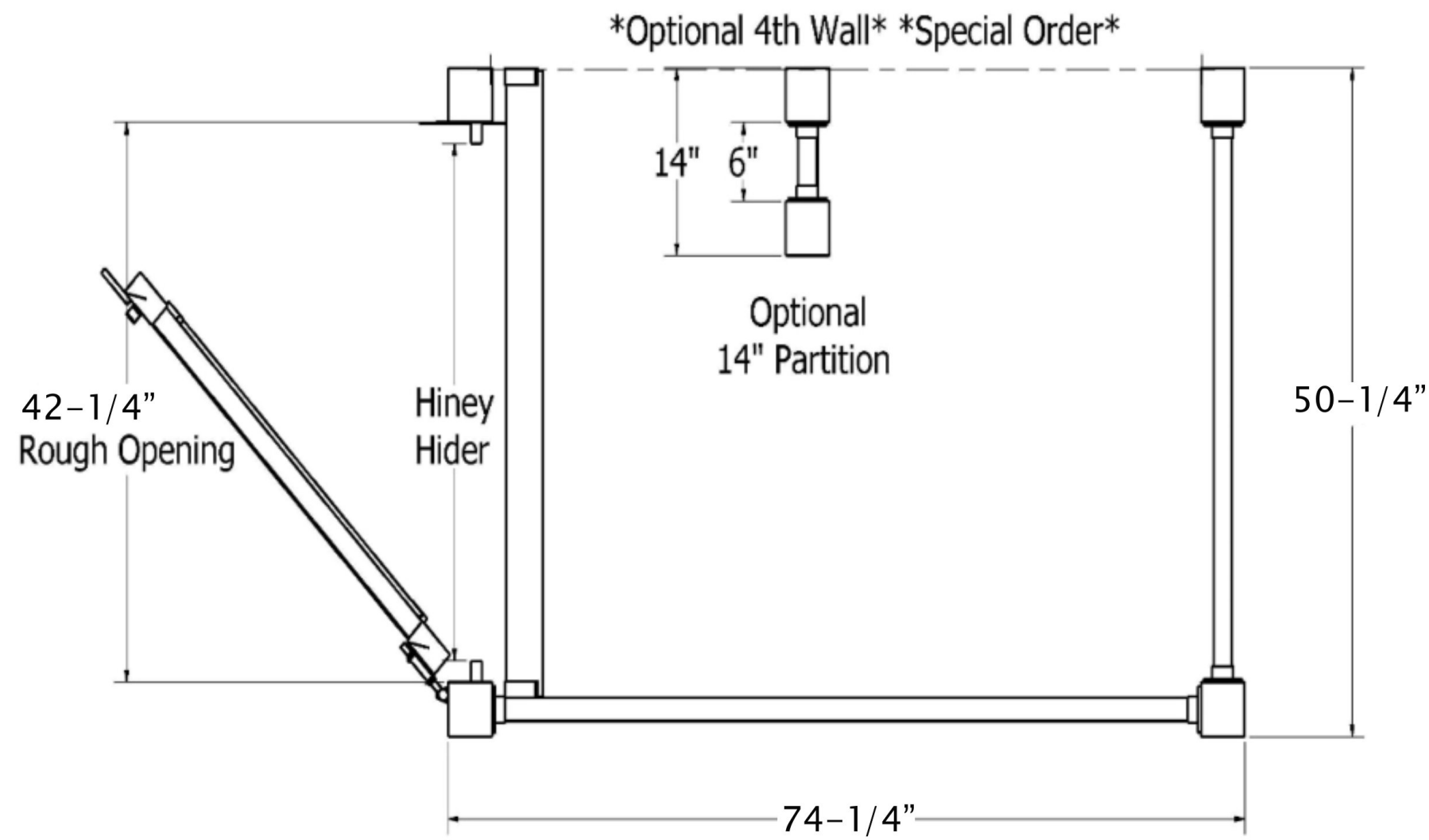


# 200 Series

## 4 x 6 Enclosure

### Possible Layouts



### 200 Series

- 4 Post Box w/ 72" Transom PART #: 1172 Post
- 41" Door Box PART #: 1341 Door
- 42" Wall & 66" Knocked Down Wall Box PART #: 1266 Wall
- Hardware Box PART #: 1001 Hardware

