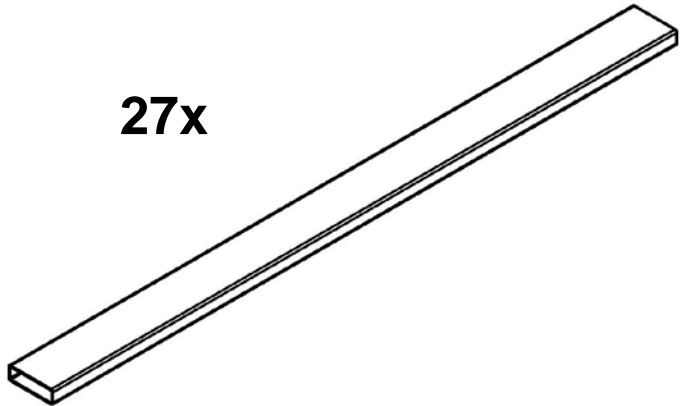


4 x 6 Louvered Roof Box:

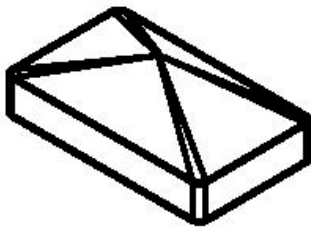
(Models 200/300)

Part # 1406 Louvered

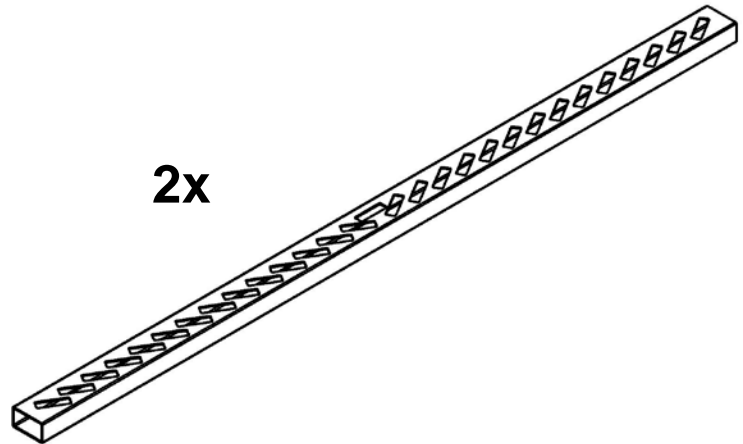
27x



4x



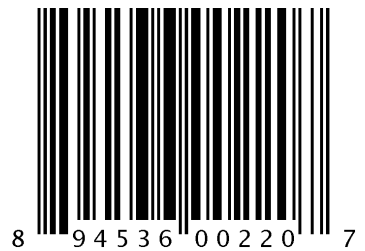
2x



(Model 200/300)

4 x 6 Louvered Roof Box:

- Twenty-Seven – 7/8" x 3" x 41-1/2" Louvers
- Four – 2" x 3-1/2" Rail Caps
- Twenty-Four - #10 1-1/2" PHILLIPS PANHEAD TEK 305 SS WHITE
- Two- 2" x 3-1/2" x 78" Louvered Transom Rails
- Four – Alloy Fast. #12x4" Phillips Panhead A Allochrome Screw



Box: TBD