

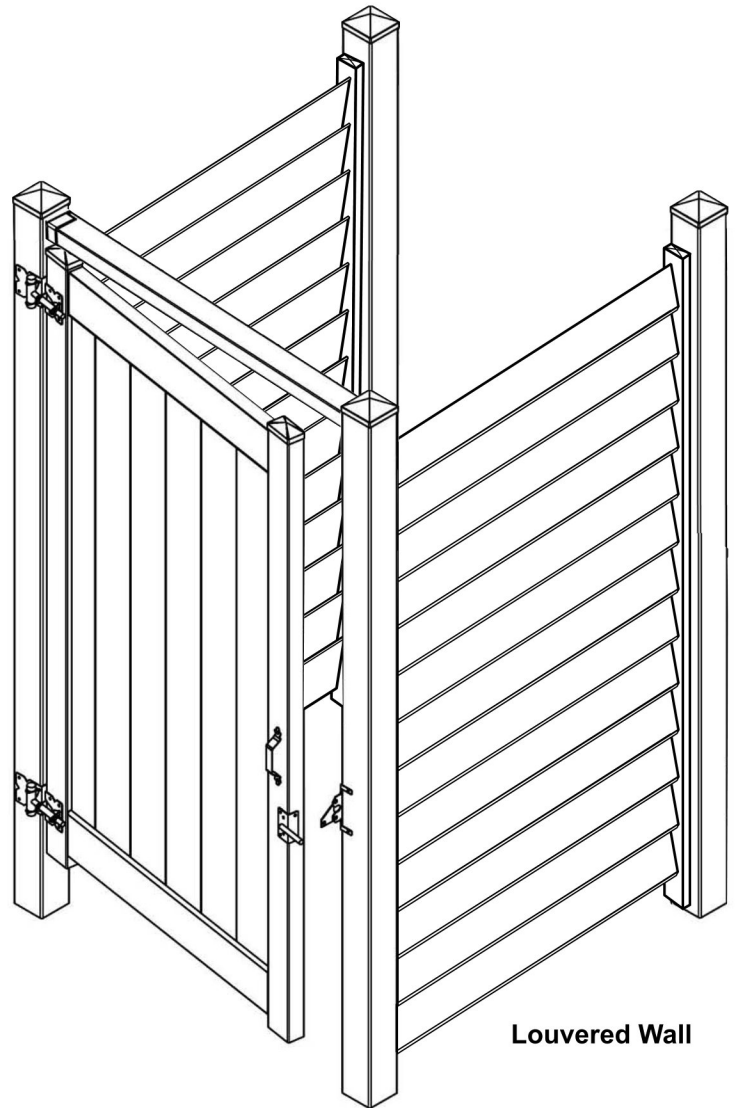
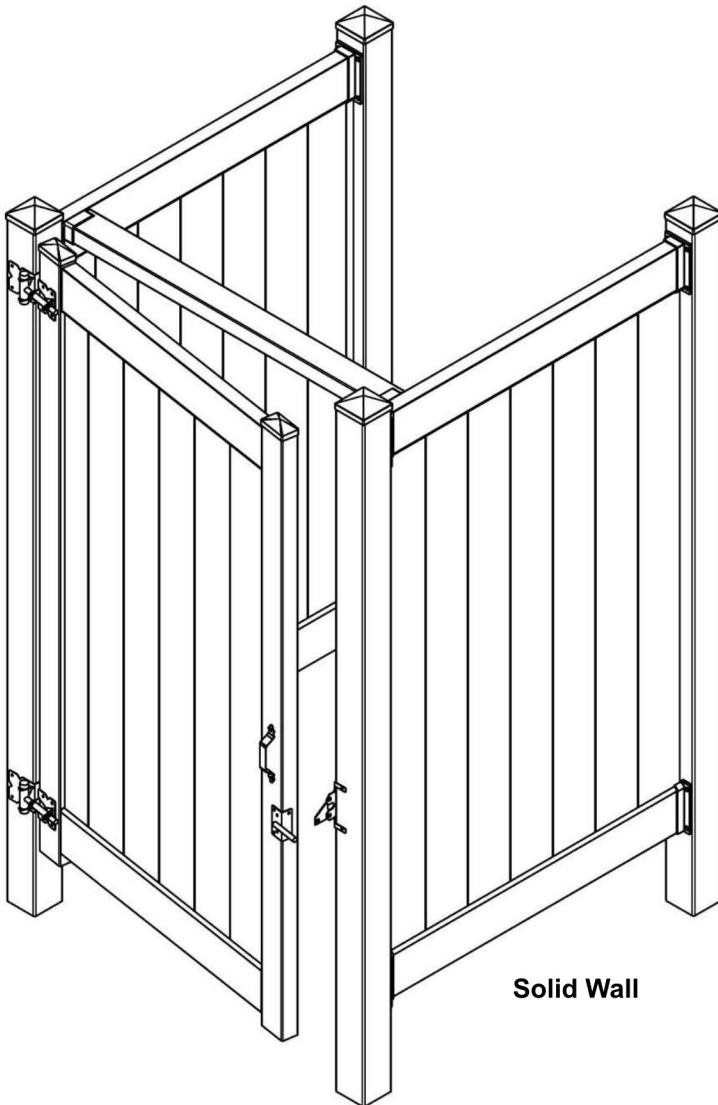
# Liquid Sunshine<sup>®</sup> OUTDOOR PRODUCTS

[www.outsideshower.com](http://www.outsideshower.com)

## Vinyl Shower Enclosure Kit

*Assembly and Installation Instructions*

### 100 SERIES



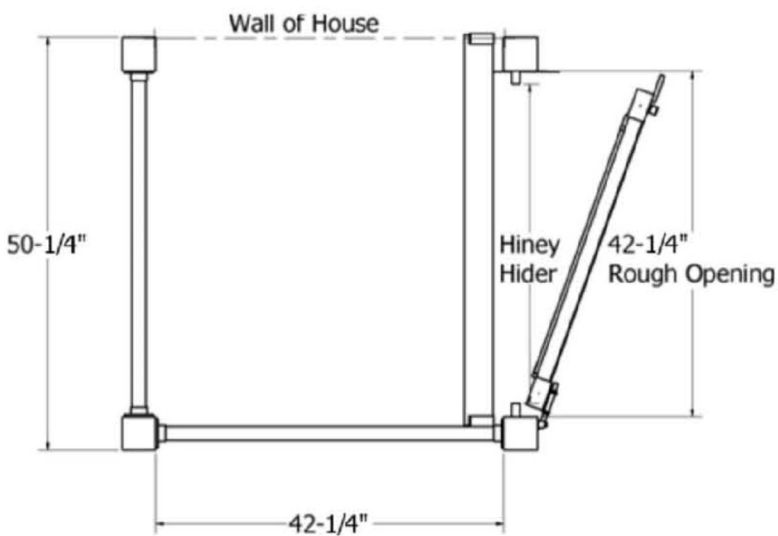
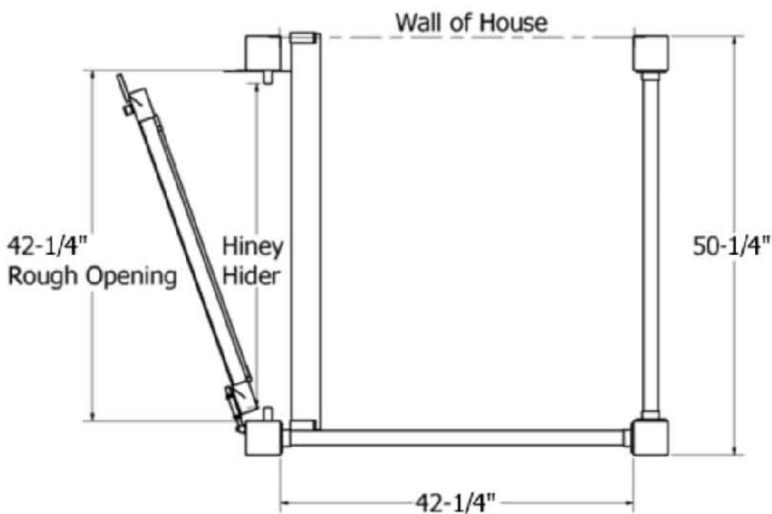
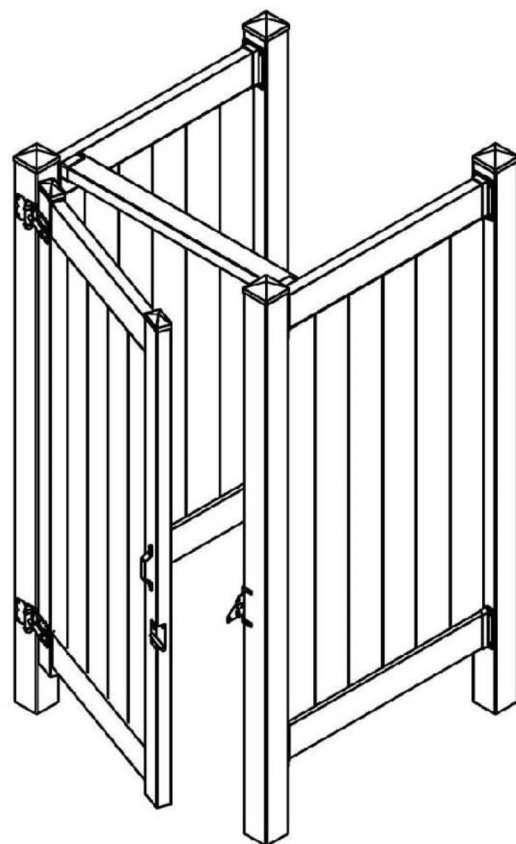
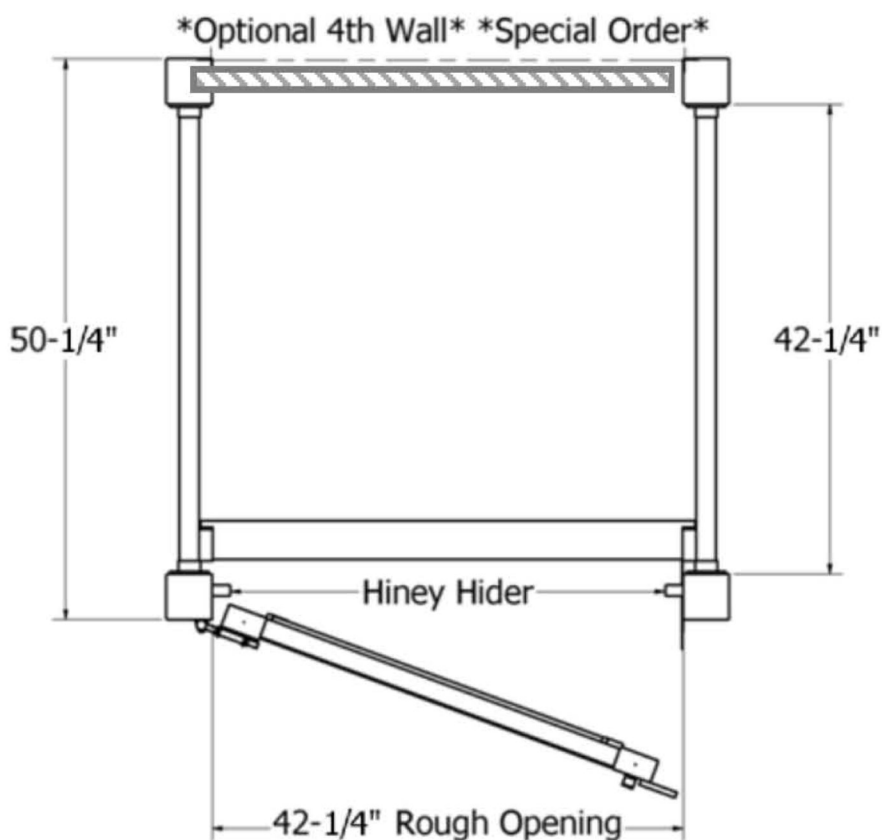
PLEASE READ INSTALLATION INSTRUCTIONS COMPLETELY BEFORE STARTING.

*Installation Support Hotline 1-800-499-FENCE*

*Thank you for purchasing the Liquid Sunshine Outdoor Vinyl Shower Enclosure Kit. Please read installation instructions completely before assembling your enclosure.*

## 100 SERIES (4 x 4)

Consider the following Layout Options:



**IMPORTANT:**

*Before you begin...*

- *Check Local Zoning Laws.*

*Zoning laws may restrict the location and height of your enclosure, permits may also be required.*

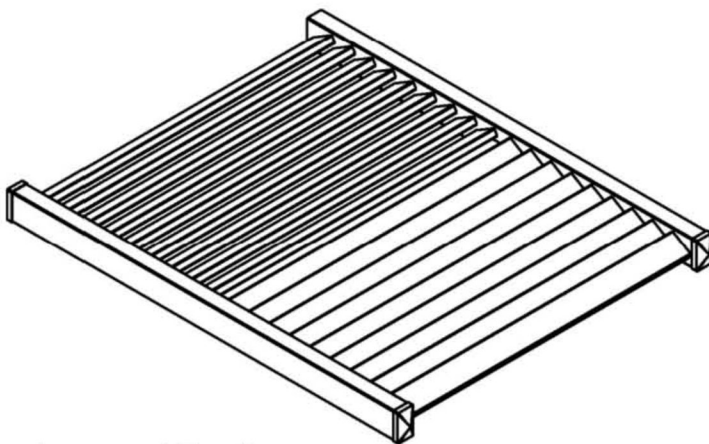
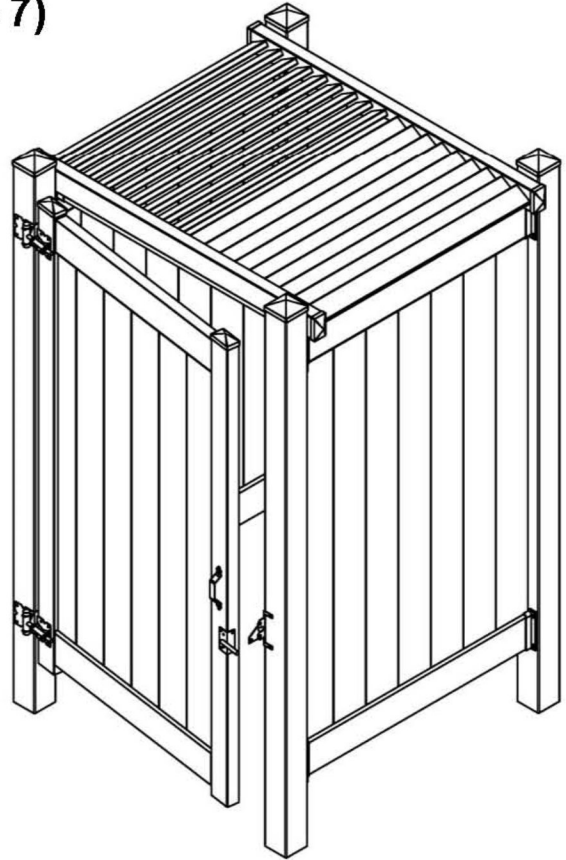
- *Underground Utilities.*

*Dial 811 and pay to have underground utility lines marked. Even at shallow depths utility lines can be present.*

- *Check that all tools and materials are present to properly assemble your enclosure.*

**Models with Louvered Roofs:**

Vinyl posts must be cut to 90" instead of 84" to accommodate for Louvered Roof assembly.  
(See page 7)



*Louvered Roof  
Available with Special  
Order.*

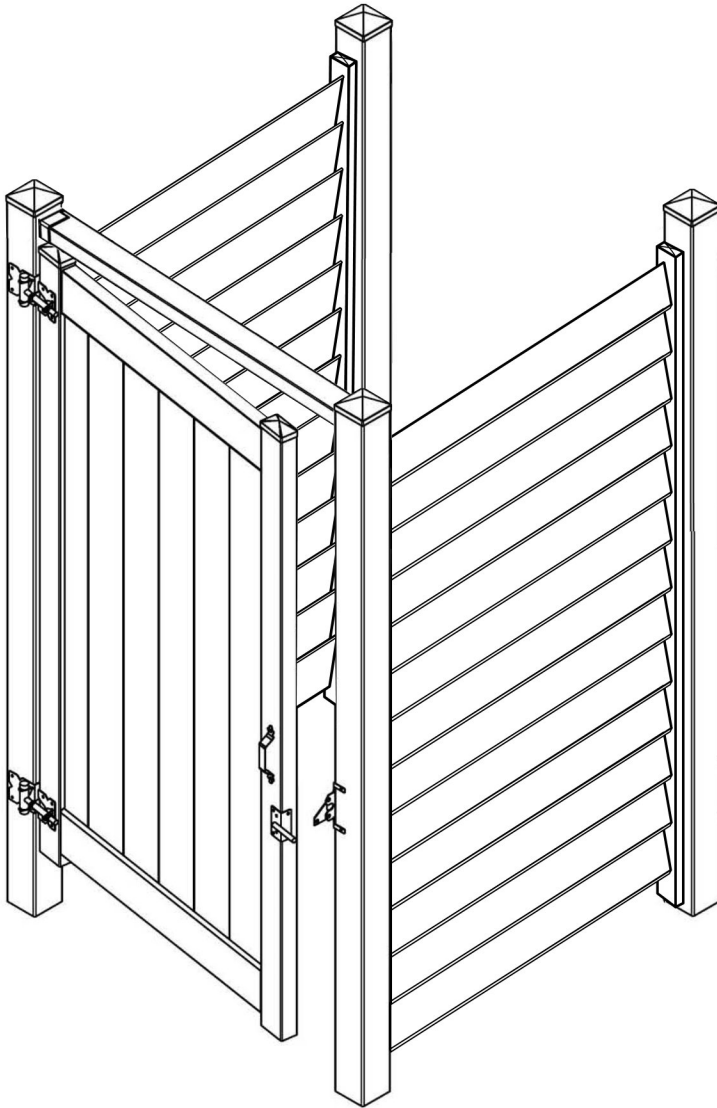
**1-800-499-FENCE**

*Installation Support Hotline*

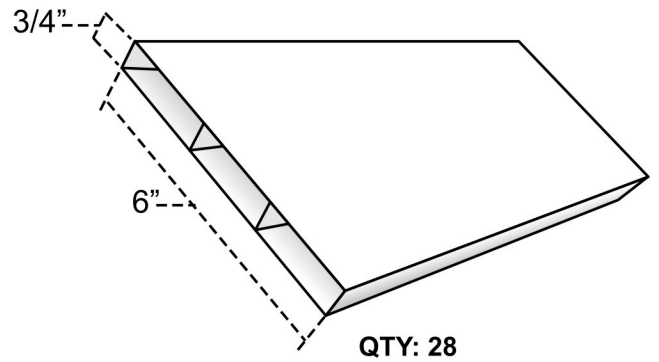
*[www.outsideshower.com](http://www.outsideshower.com)*

**Models with Louvered Walls:**

See page 10 for Louvered Wall Assembly Instructions.



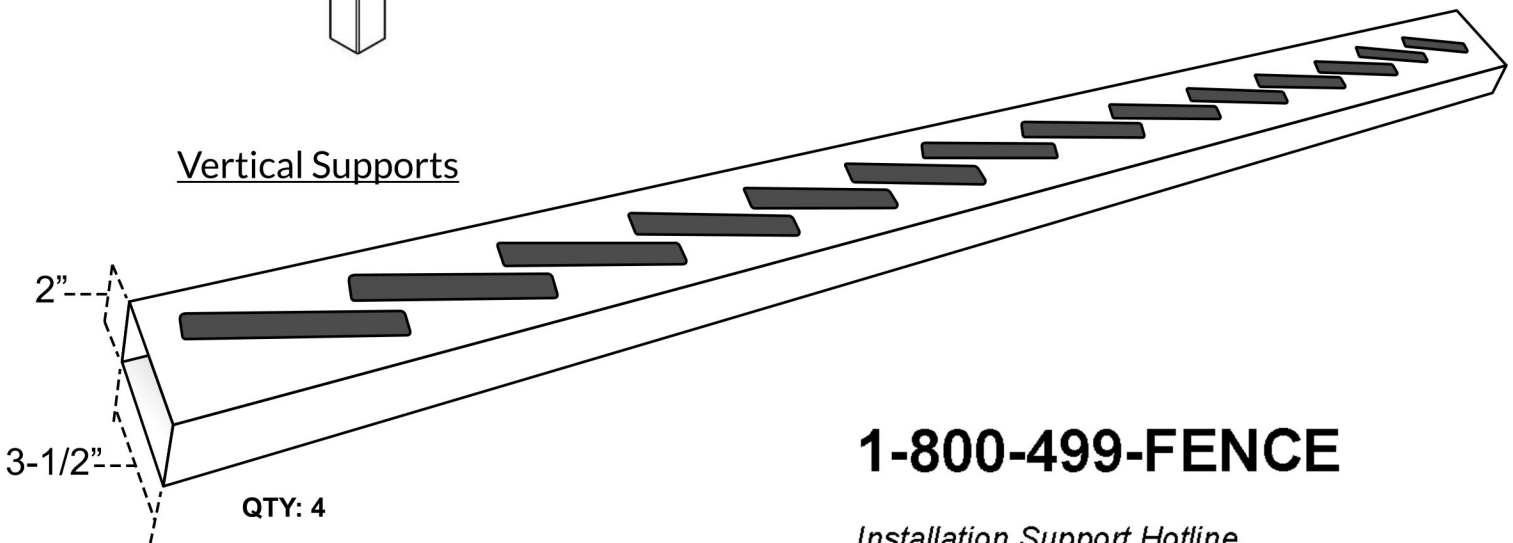
Vinyl Louvers



2x3-1/2" Internal Caps



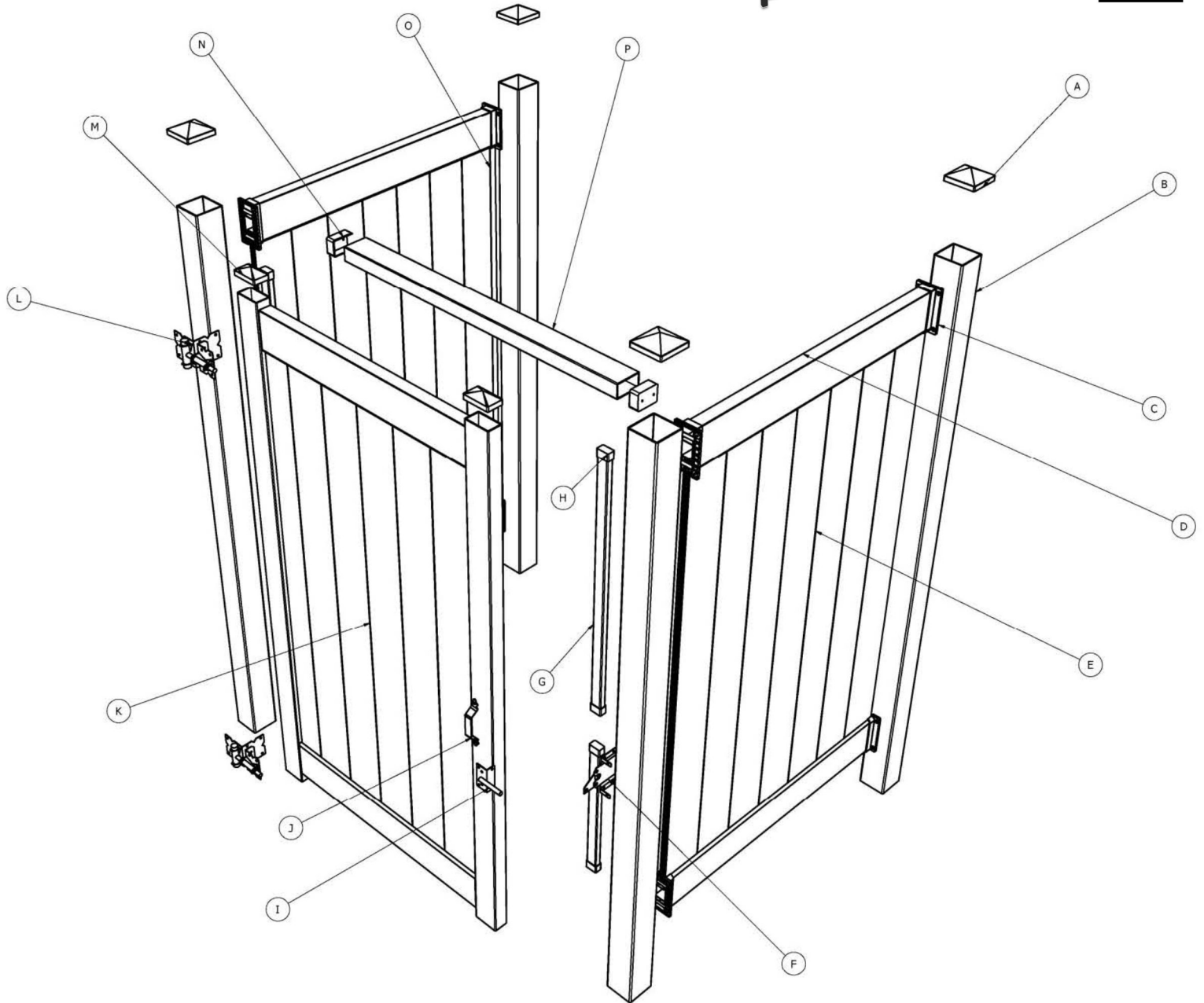
Vertical Supports



**1-800-499-FENCE**

*Installation Support Hotline*

*www.outsideshower.com*



**PART LEGEND**

**Qty**

**Qty.**

A	4" Flat Cap	4	I	Door Bolt (w/ Paddle Latch)	1
B	4"x 4" Post 96" long, each	4	J	Gate Handle	1
C	Bracket Kit (2 per pack)	4	K	Door (Pre-Assembled)	1
D	Deco Rail 42-1/2" long, each	4	L	Self-Closing Hinge	2
E	Tongue and Groove Boards	14	M	2" x 3-1/2" Door Cap	2
F	Paddle Latch	1	N	2" x 3-1/2" Transom Mount	2
G	Privacy Strip 84" (Field Cut)	2	O	U-Channel Strip 61" long	2
H	Privacy Strip End Cap	6	P	2" x 3-1/2" Rail Transom	1

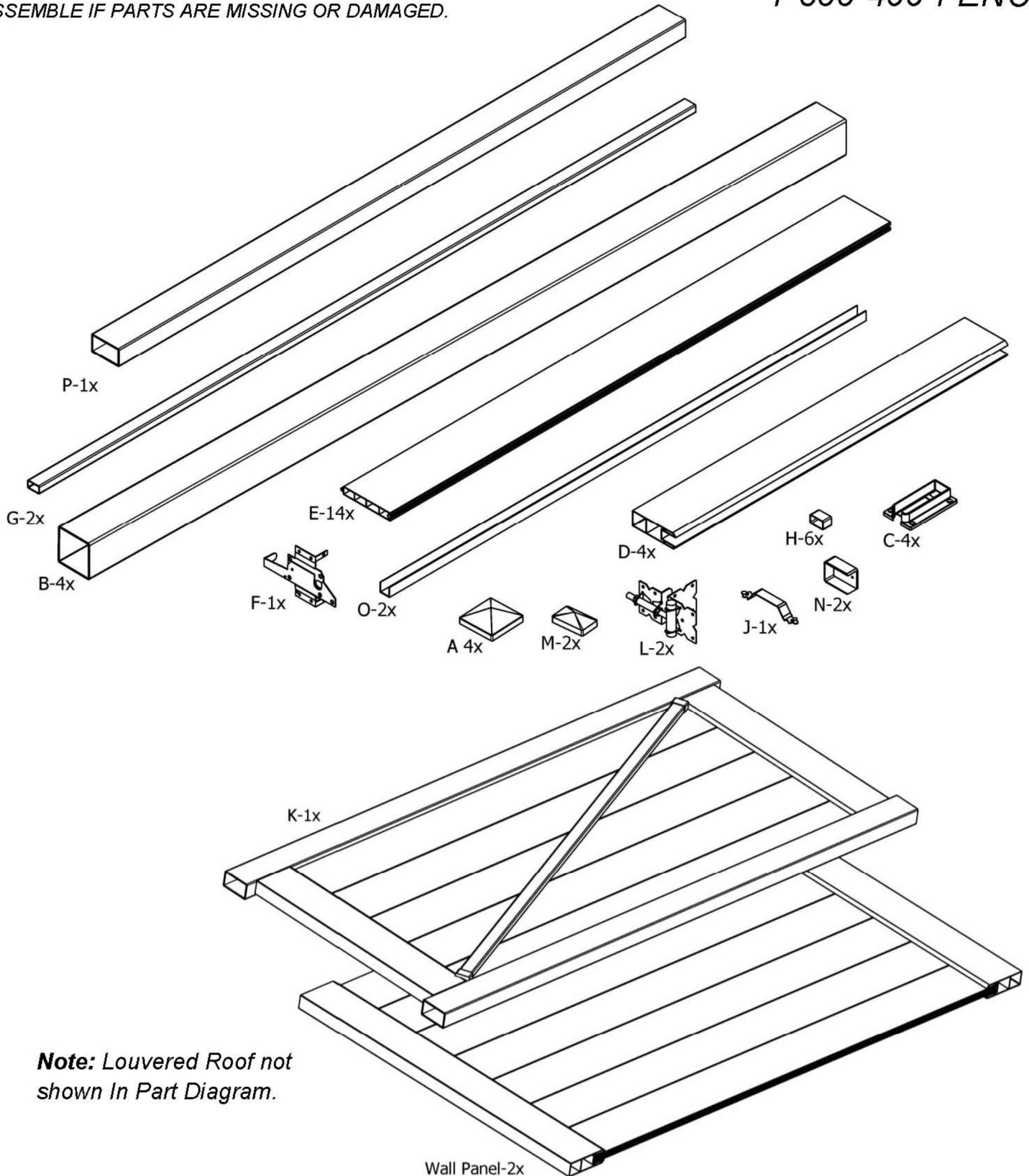
**\*\*When necessary materials may be cut or modified to fit application parameters\*\***

## Enclosure Parts and Assembly

PLEASE TAKE A COMPLETE INVENTORY OF ALL PARTS PRIOR TO ENCLOSURE ASSEMBLY. DO NOT ATTEMPT TO ASSEMBLE IF PARTS ARE MISSING OR DAMAGED.

For replacement parts or assistance dial:

**1-800-499-FENCE**



**Note:** Louvered Roof not shown In Part Diagram.

## 1-800-499-FENCE

Installation Support Hotline / [www.outsideshower.com](http://www.outsideshower.com)

### Tool List:

- Circular Saw / Hand Saw / Chop Saw
- Line Level
- Post Level
- Tape Measure
- Ratchet Set
- Drill Gun #2, #3 Phillips
- Driver Bit Extender (Recommended)
- Hammer
- Rags and Spray Cleaner
- Safety Glasses
- Black Sharpie or Carpenters Pencil

### GROUND FOOTING INSTALLATION:

- Post Hole Digger (Auger Recommended)
- Shovel
- Pre-Mix Concrete (6 Bags)
- 4x4 by 96 Lumber (4x)**

### CONCRETE/WOOD DECK MOUNT INSTALLTION:

#### Concrete:

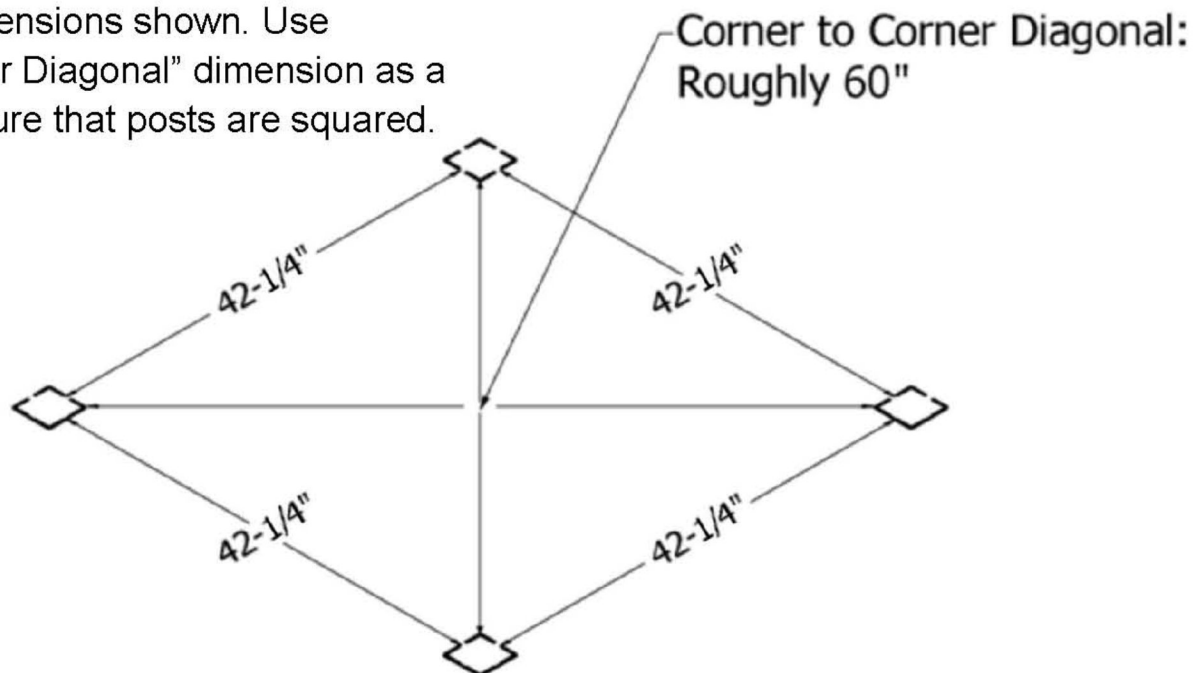
- Hammer Drill
- Masonry Drill Bit
- Impact Gun / Ratchet Set
- Cement Fasteners (4 / Post)

#### Wood Deck:

- Wood Drill Bit
- Wood Fasteners (4 / Post)

## 1. Measure and Mark Post Layout

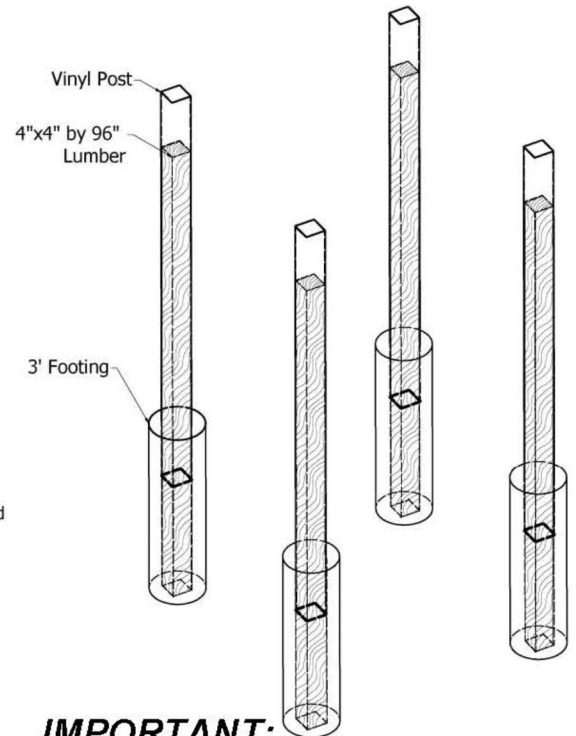
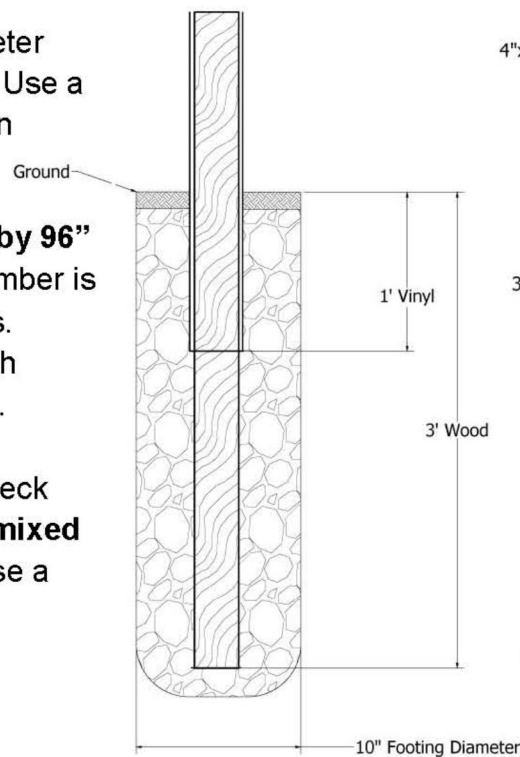
Measure, mark, and “square” posts according to dimensions shown. Use “Corner to Corner Diagonal” dimension as a reference to ensure that posts are squared.



## 2. Post Installation

### *In-Ground Method:*

1. Dig a 3' deep by 10" diameter hole for each post footing. Use a **Post Hole Digger** when an **Auger** is not available.
2. Slide vinyl posts over **4x4 by 96" lumber** so that 2 feet of lumber is extended below vinyl posts. Secure lumber to posts with **screws** below finish grade.
3. Insert posts and double-check measurements. Pour **pre-mixed concrete** into holes and use a **post level** to make plumb.

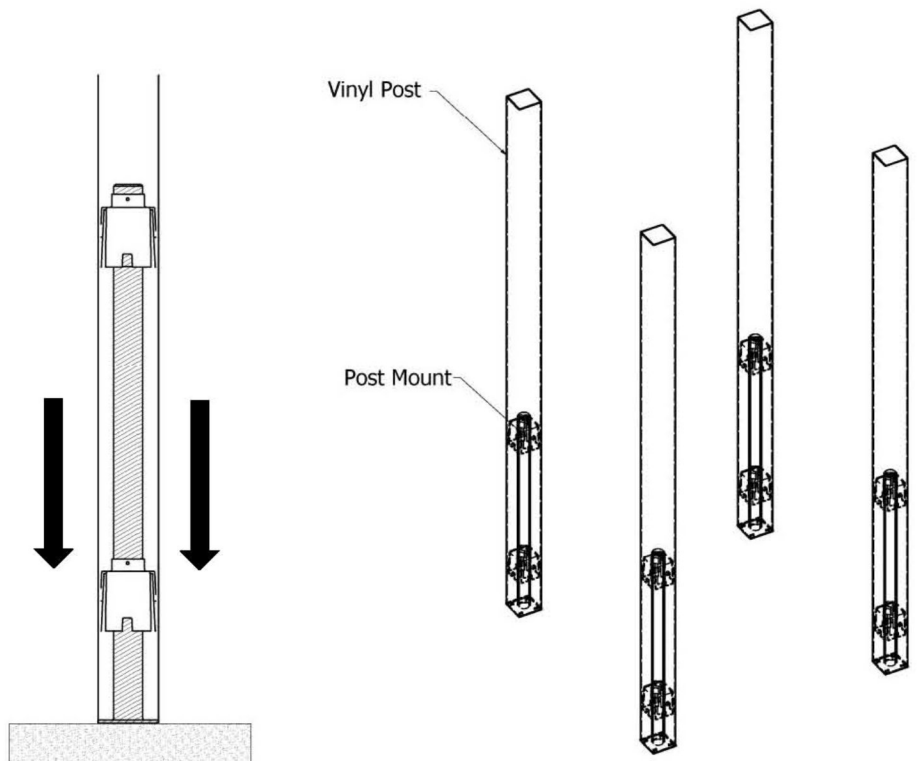


### **IMPORTANT:**

**For Louvered Roofs, allow vinyl posts to stand 90" above ground. (6" in footing)**

### *Post Mount Method:*

1. Pre-drill four holes per mount using appropriate **drill** and **bit** sizes for your fastener.
2. Secure with **cement screw anchors** for concrete, or **lag bolts** for wood surfaces.
3. Cut vinyl posts to desired height with **saw**. Recommended post height is 84", or 90" with Louvered Roof.
4. Slide vinyl posts over mounts. Vinyl posts can be secured to mounts with **screws** but is not required.

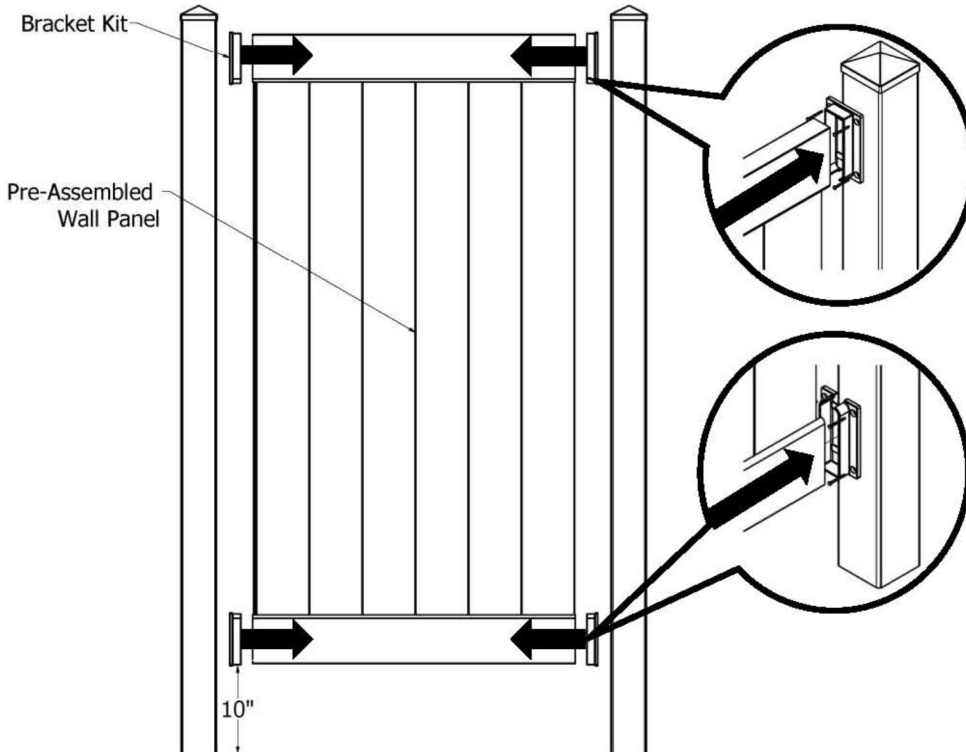




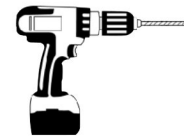
Wall Panel and Rail Transom Instructions shown below are for "Solid Wall" enclosures only.

For Louvered Wall enclosures, see next page.

### 3. Wall Panel Installation

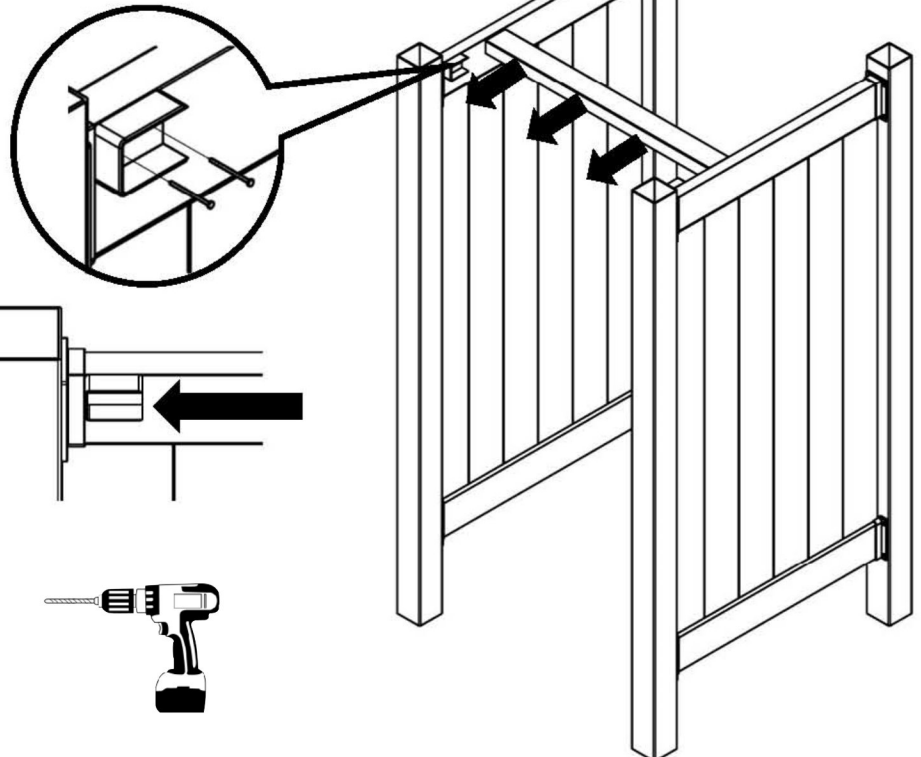


1. Slide brackets onto wall panel and lift into place between posts. Have a friend help you with this step.
2. Offset the bottom brackets 10" above finish grade and center the wall panel on posts.
3. Mount brackets with **screws** provided in bracket kit. Insert white caps to hide screws.



### 4. Rail Transom Installation

1. Install rail mounts on the interior side of top deco rails near door location. Rail mounts should be flush with deco rails and rest against wall brackets.
2. **Measure** and **cut** rail transom to fit snugly between rail mounts.
3. Slide rail transom into place and secure with **screws**.



**Alternate:** If assembly follows layout options 2 or 3, screw rail mount to wall of house and measure and cut rail transom accordingly.

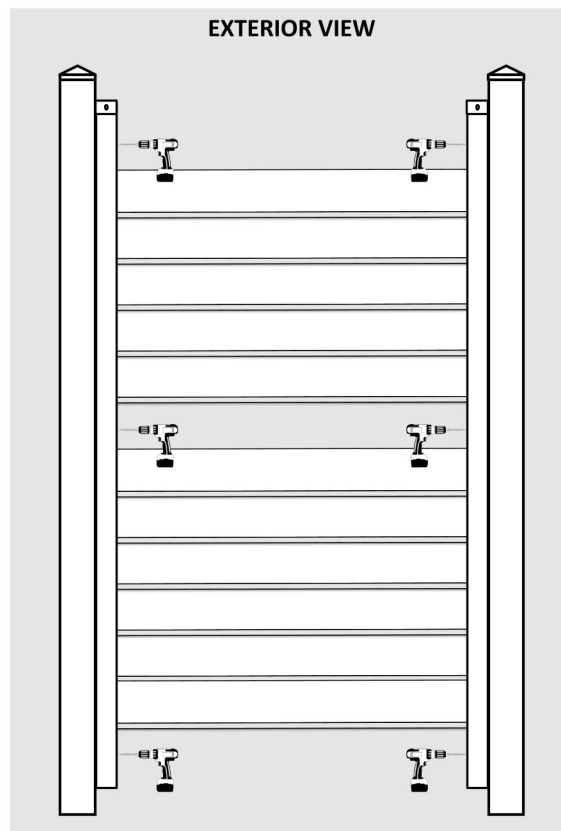
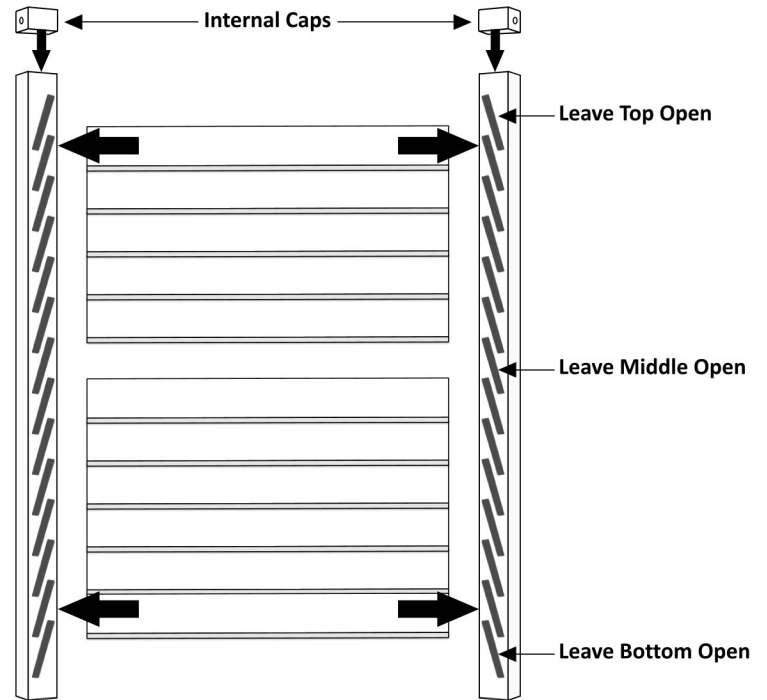
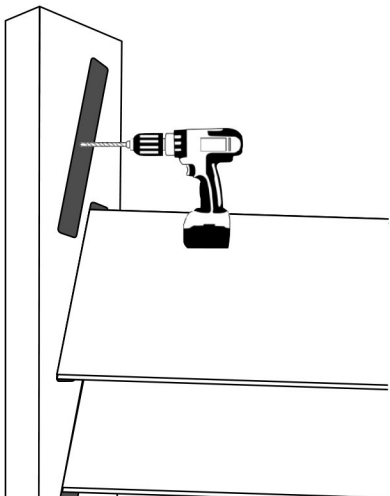
Wall Panel and Rail Transom Instructions shown below are for "Louvered Wall" enclosures only.  
 For Solid Wall enclosures, see previous page.

### 3. Louvered Wall Installation

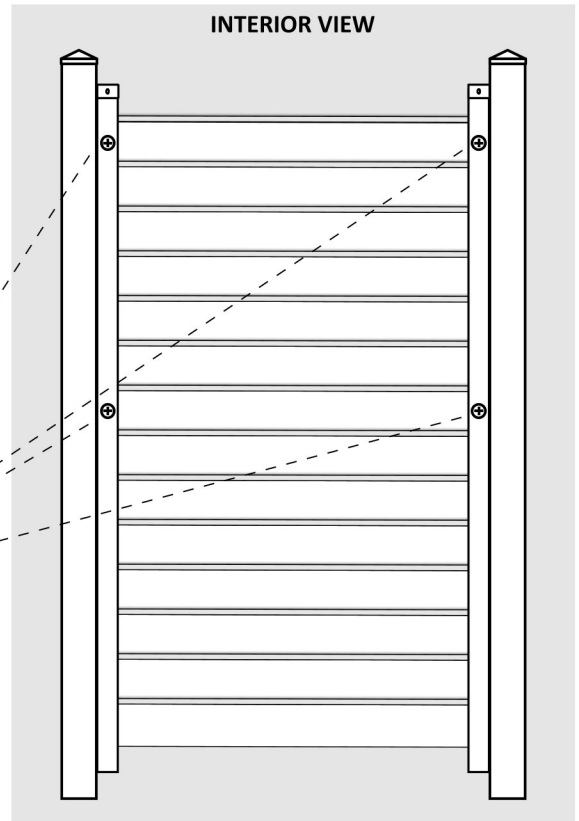
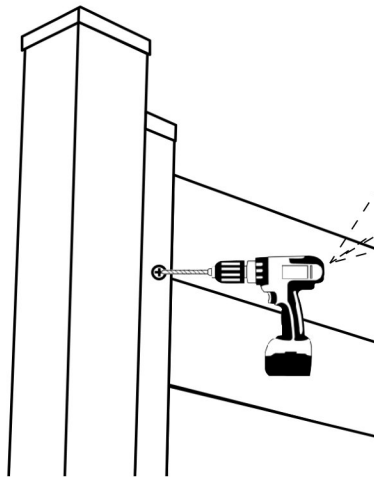
1. Insert Louvers into pre-cut slots of 2x3-1/2" Vertical Supports leaving the top, middle, and bottom slots open.
2. Attach 2x3-1/2" Internal Caps to the top of Vertical Supports.
3. Lift Louvered Wall Panel into place between posts and hold to desired height. Have a friend help you with this step.

*(If installing with Louvered Roof, leave 4" of clearance from the top of the post.)*

4. Fasten Vertical Support through exposed route/slots. Repeat for opposite side.

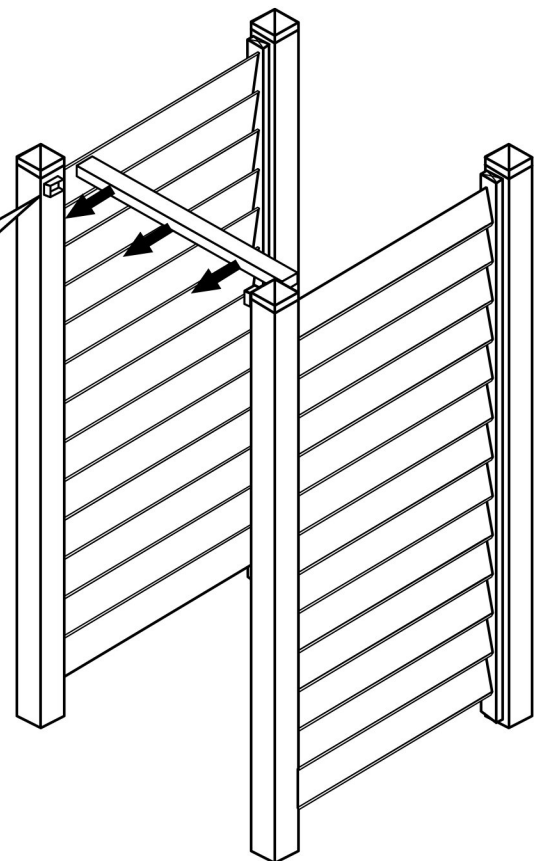
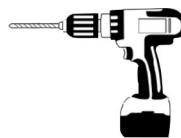
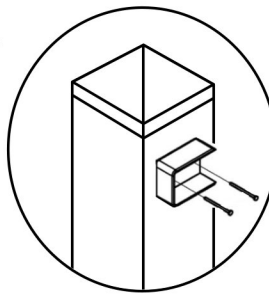


5. Insert Top, Middle, and Bottom Louvers into slots, gently flexing to fit.
6. Secure the back of the Louvered Panel through both vertical supports using provided screws into the top and middle areas.

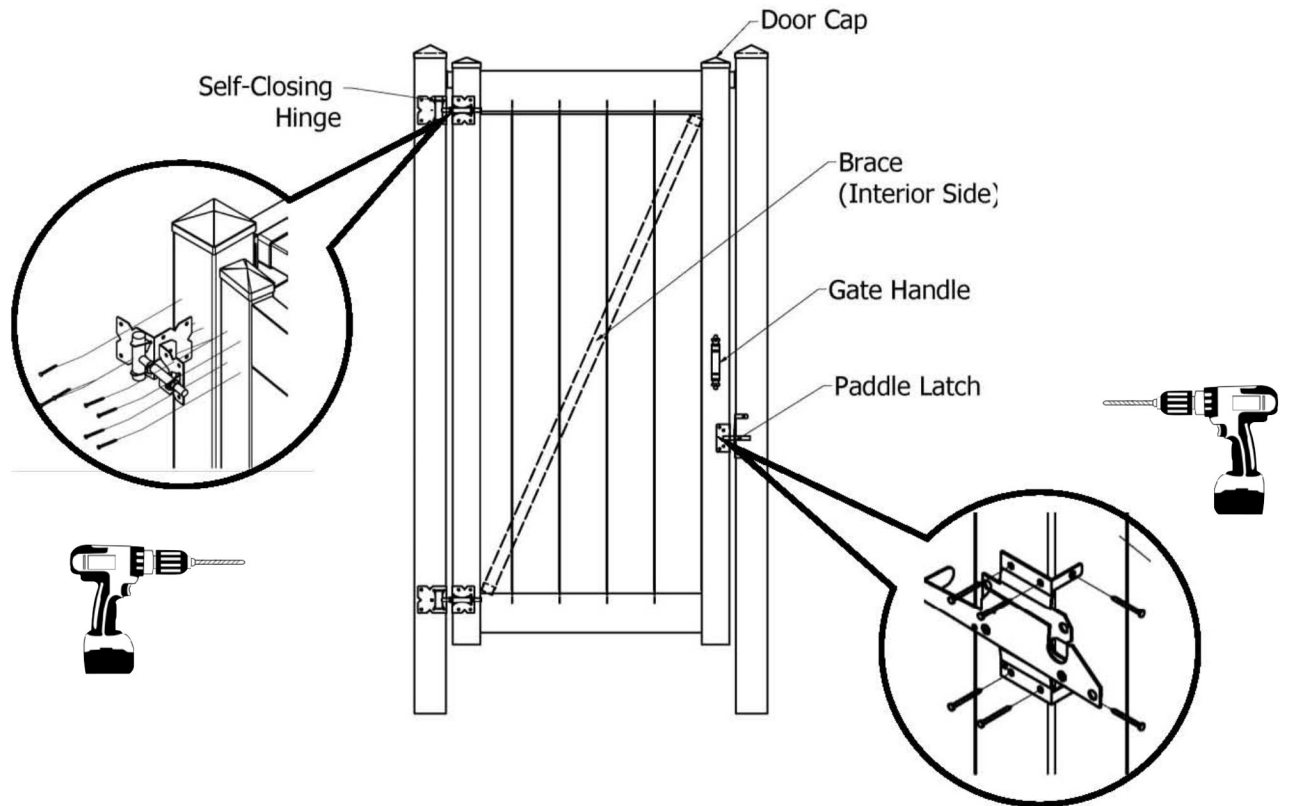


#### 4. Rail Transom Installation

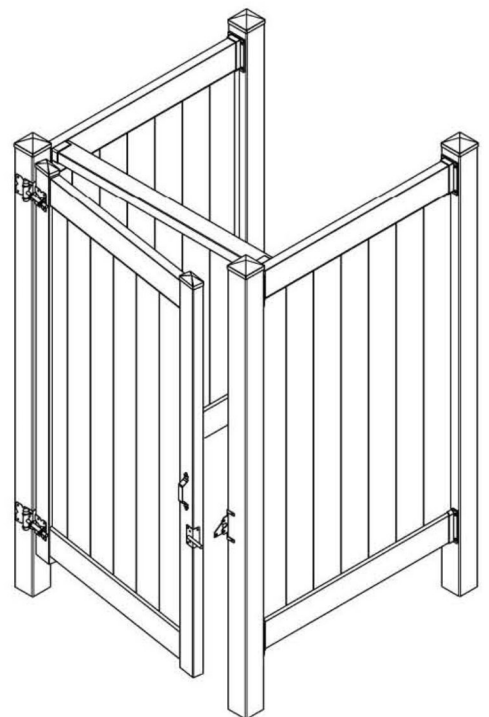
1. Install rail mounts on 4x4 posts near door location as shown.
2. **Measure** and **cut** rail transom to fit snugly between rail mounts.
3. Slide rail transom into place and secure with **screws**.



## 5. Door & Hardware

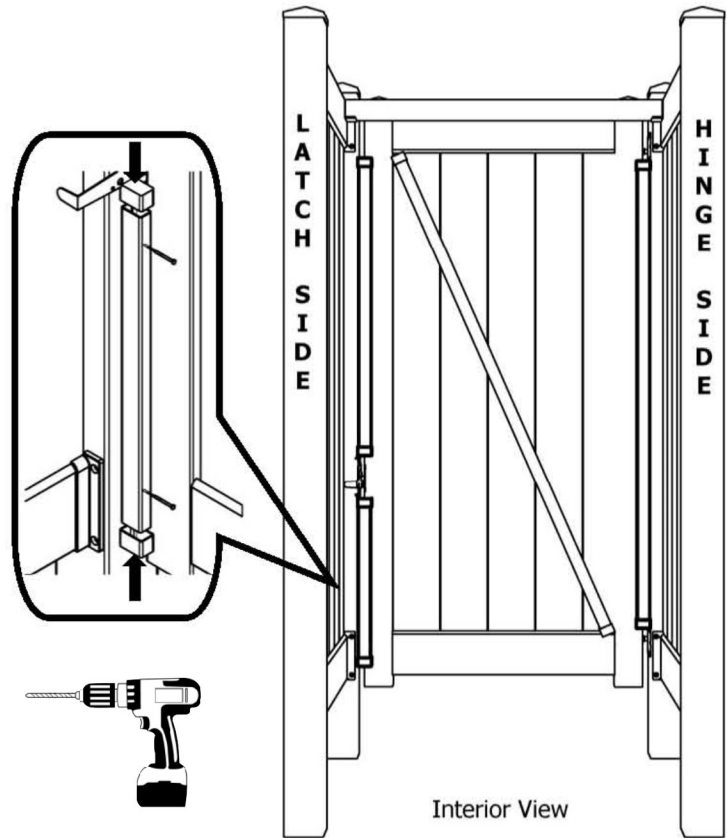


1. Attach door to post by first installing self-closing hinges as shown. Once hinges are mounted to post, lift and **screw** hinges to door. Hinges have adjustable nuts that are used to center the door in the opening.
2. Orientate door so that the brace is on the interior side of the enclosure and the top of the door is flush with wall panels.
3. Install gate handle and paddle latch at desired heights. Ensure that paddle latch components are aligned to allow the door to open and shut. Use adhesive to create a stronger bond for door caps.

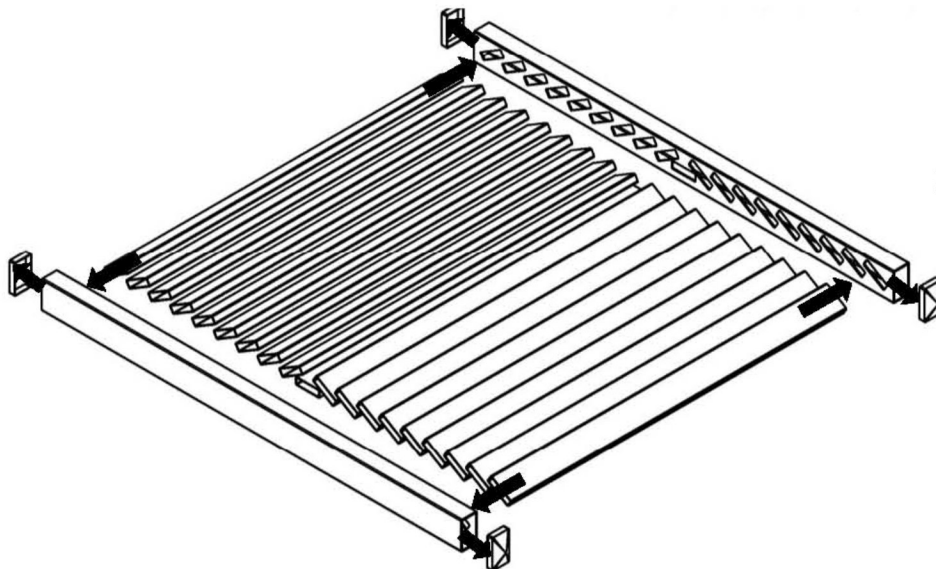


## 6. Privacy Strips (Hiney Hiders)

1. **Measure and cut** 7/8" x 1-1/2" vinyl strips to fit between door hardware. (paddle latch and hinges) Privacy strips cover gaps between door and posts but also act as door stops.
2. Cap privacy strips with 7/8" x 1-1/2" end caps. Apply **adhesive** for a stronger bond.
3. Mount privacy strips on posts behind door with **screws** provided. Strips should be installed with 7/8" side screwed to post.



## 7. Louvered Roof

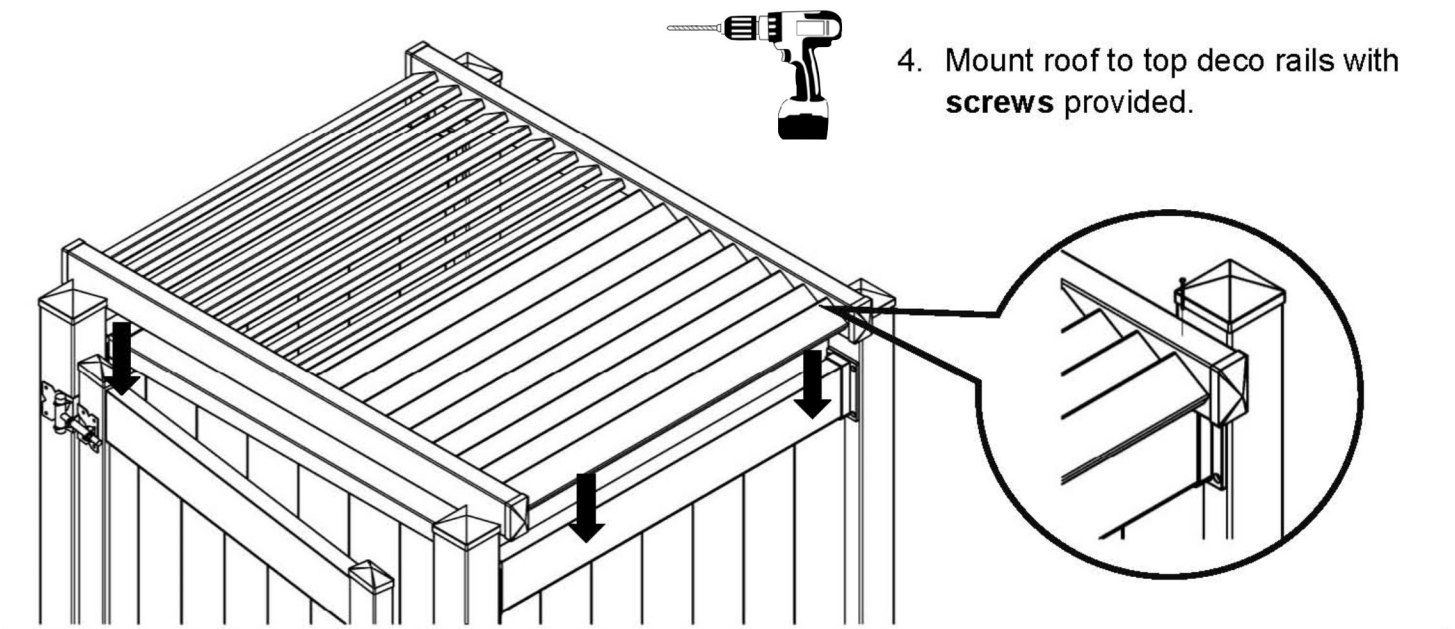


1. Assemble Louvered Roof components as shown. (Louvers, Roof Transoms, Caps)
2. Apply adhesive to roof caps for a stronger bond.

## Louvered Roof (continued)

- Place Louvered Roof on Enclosure so that roof transoms rest on top deco rails and run parallel to door. Center roof so that over hangs are roughly equal.

*(If installing on top of Louvered Walls, place roof rails on top of 2x3-1/2" internal caps.)*



- Mount roof to top deco rails with screws provided.

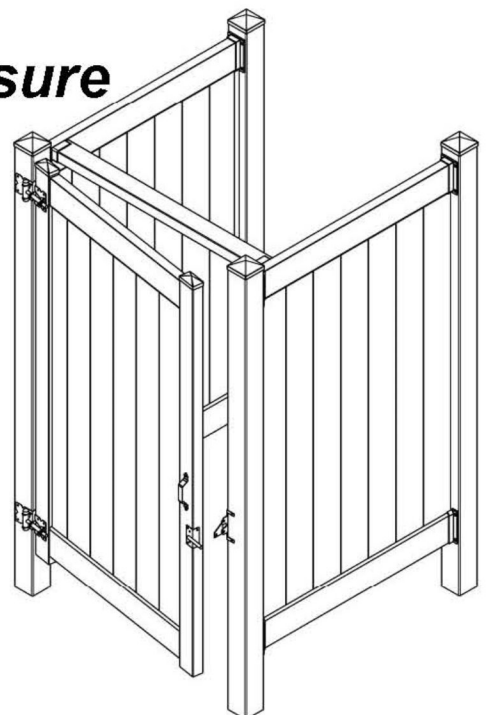
***Thank you for purchasing your  
Liquid Sunshine Shower Enclosure  
Now Enjoy!***

*Still need help?*

**1-800-499-FENCE**

*Installation Support Hotline*

*[www.outsideshower.com](http://www.outsideshower.com)*



**DO NOT CONTACT THE STORE  
ABOUT MISSING PARTS OR  
INSTALLATION SUPPORT.**

**CALL**

**1-800-499-FENCE**

*Thank you*