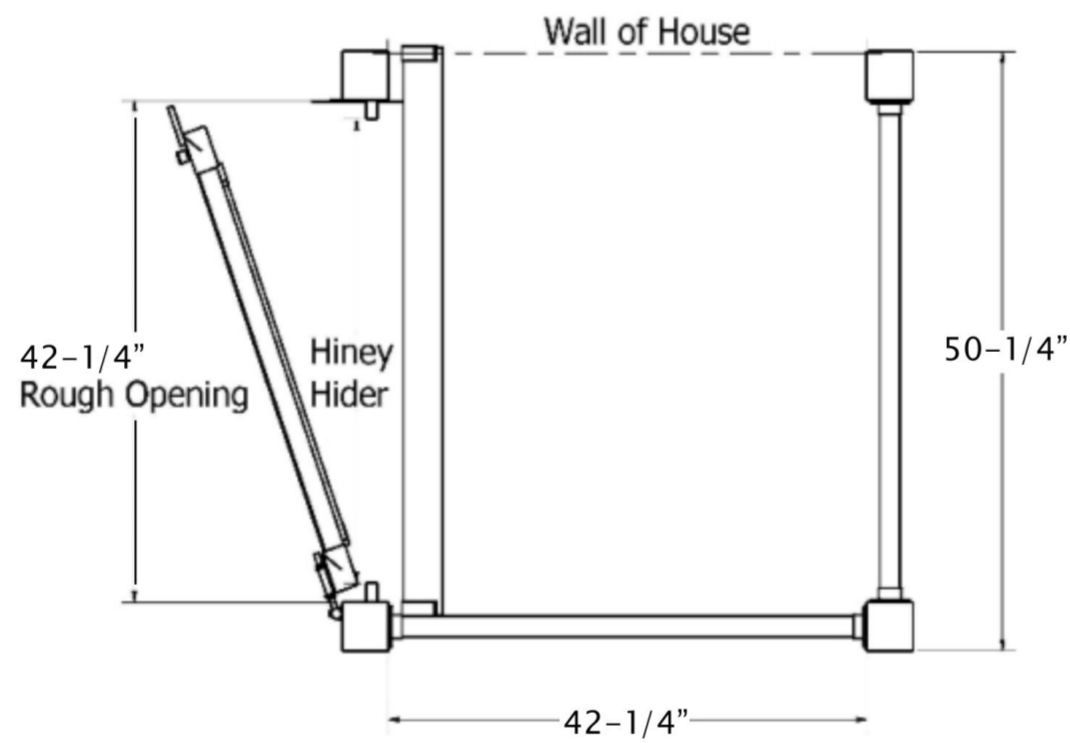
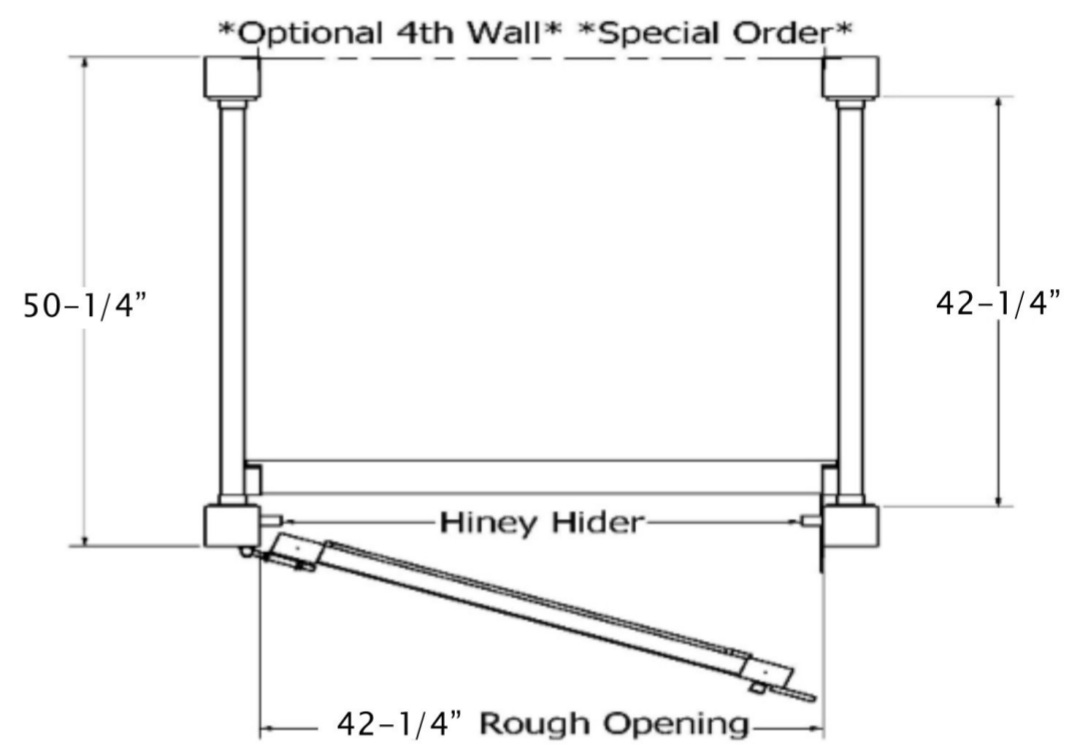
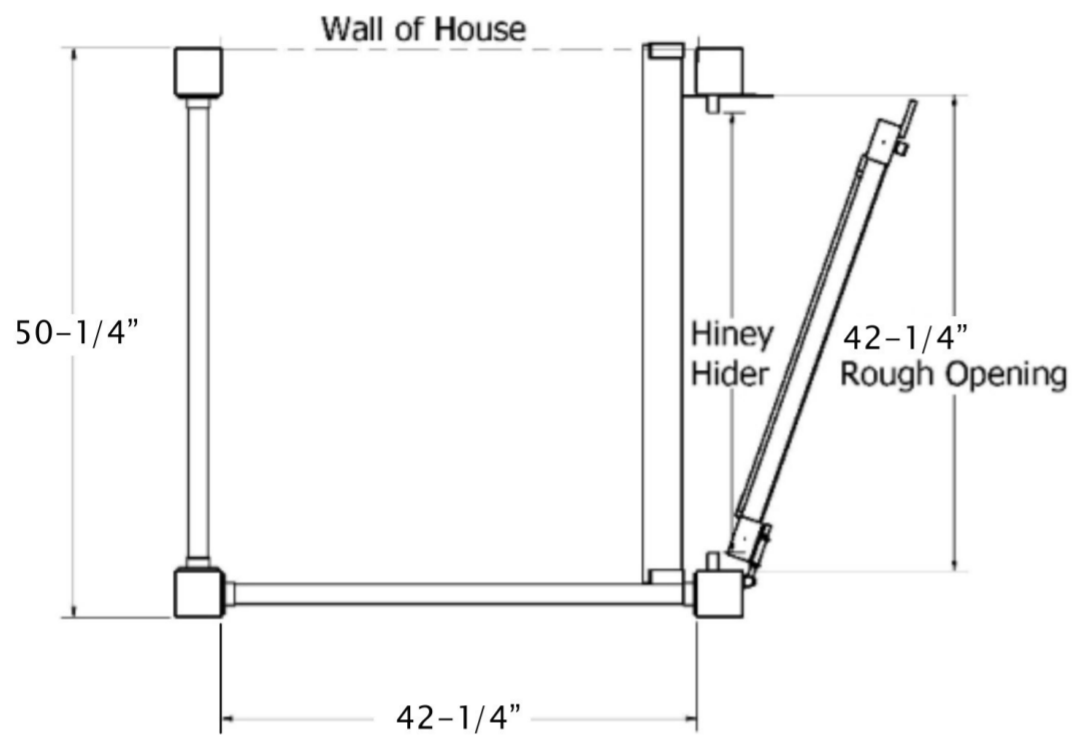


100 SERIES

4 x 4 Enclosure

Possible Layouts



100 Series:

- 4 Post Box w/ 72" Transom PART #: 1172 Post
- 41" Door Box PART #: 1341 Door
- 42" Wall Box PART #: 1242 Wall
- Hardware Box PART #: 1001 Hardware

